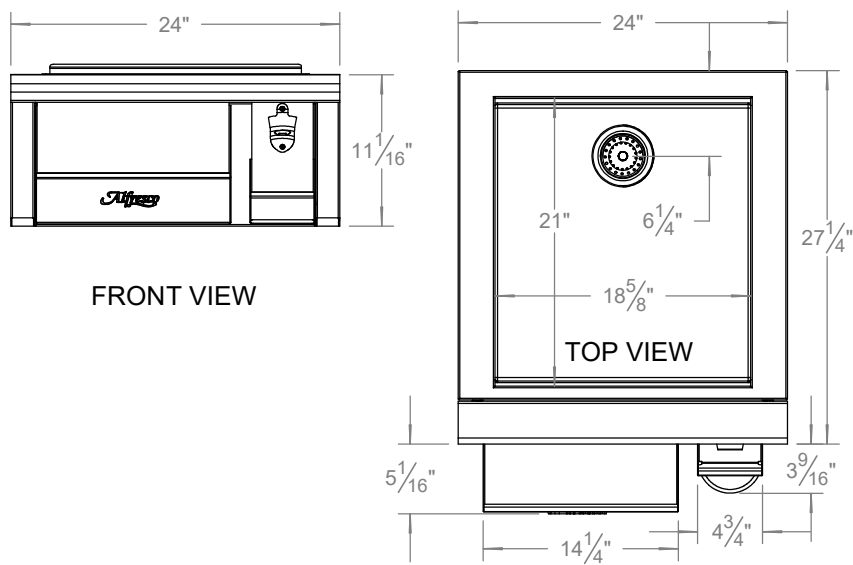
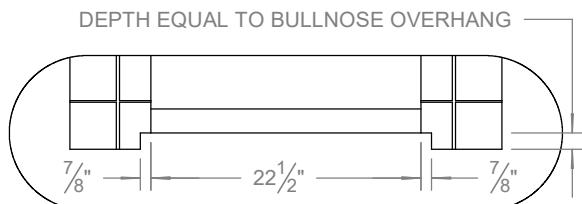
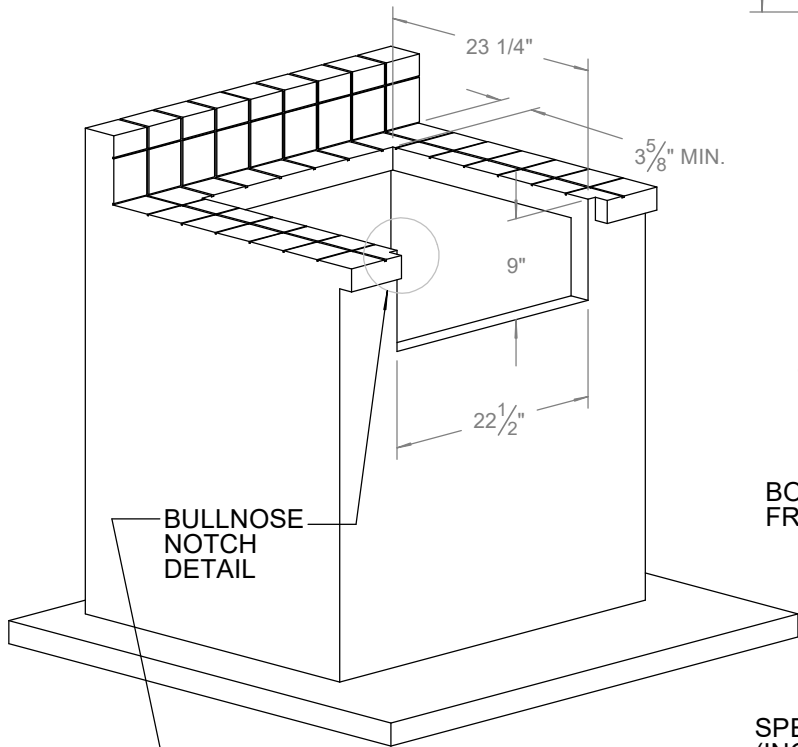


AGBC-24 TYPICAL INSTALLATION



COUNTERTOP CUTOUT REQUIREMENT



NOTE:

- A DRAIN MUST BE PROVIDED INSIDE THE COUNTER FOR PROPER AGBC-24 INSTALLATION.

