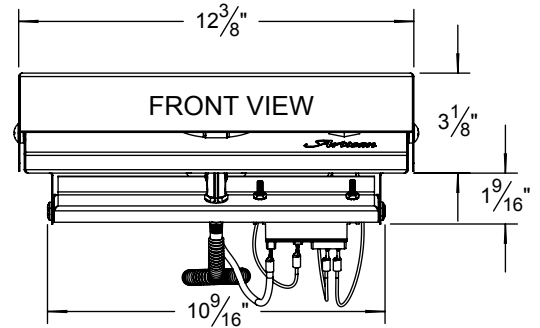
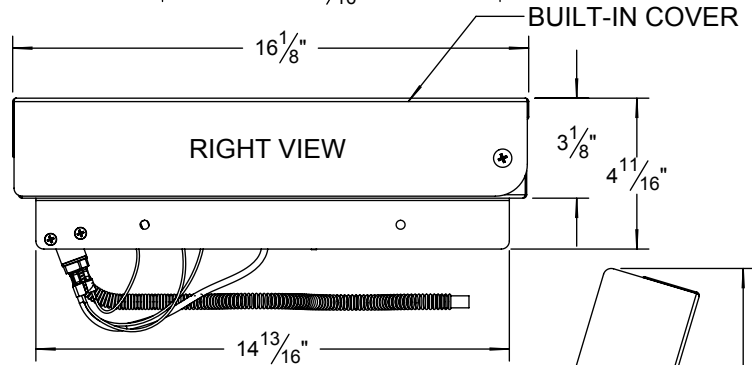


ART-SB1 UNIT

ART-SB1 TYPICAL INSTALLATION



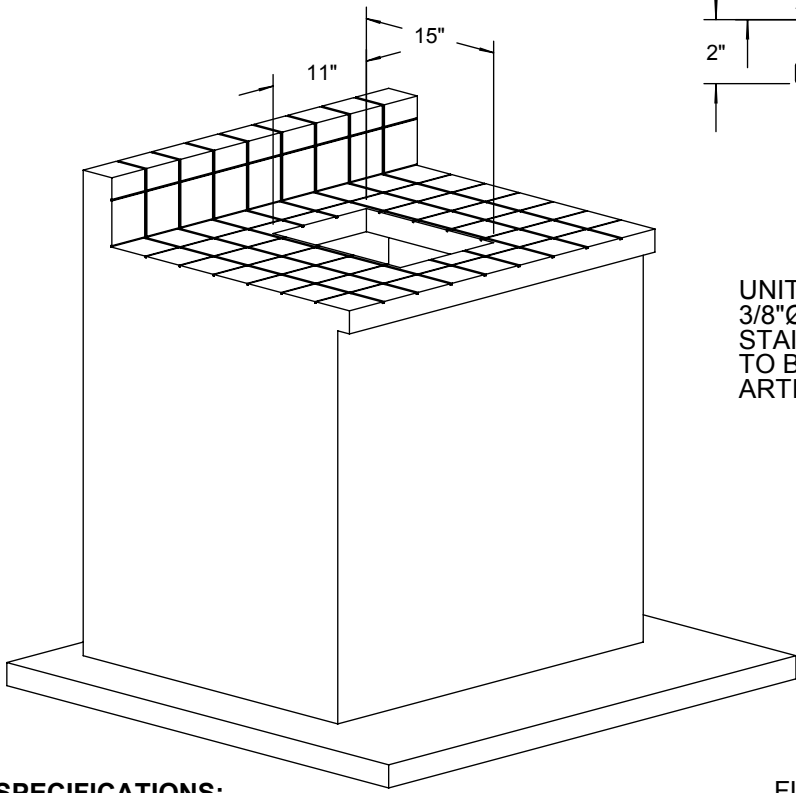
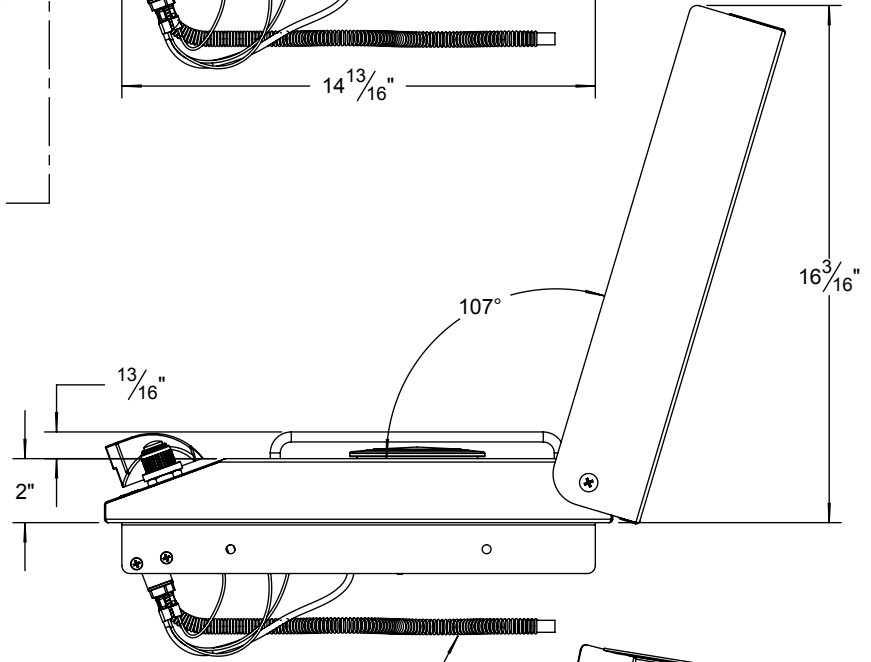
FRONT VIEW



RIGHT VIEW

BUILT-IN COVER

COUNTER TOP CUTOUT REQUIREMENTS



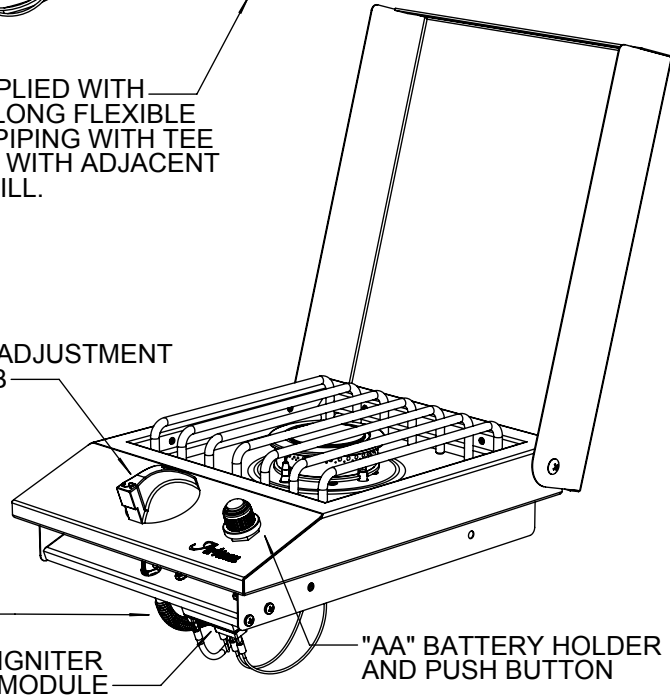
UNIT IS SUPPLIED WITH 3/8"Ø X 42" LONG FLEXIBLE STAINLESS PIPING WITH TEE TO BE USED WITH ADJACENT ARTISAN GRILL.

GAS ADJUSTMENT KNOB

FLEXIBLE PIPING

IGNITER MODULE

"AA" BATTERY HOLDER AND PUSH BUTTON



SPECIFICATIONS:

- BTUH = 20,000
- FUEL = NG @ 5" W.C. OR LP @ 10" W.C.
- ELECTRICAL POWER = 1.5 VDC AA BATTERY
- GAS CONNECTION = 3/8" PIPING TO ARTISAN GRILL



THE INFORMATION CONTAINED IN THIS DRAWING IS THE SOLE PROPERTY OF SUPERIOR EQUIPMENT SOLUTIONS INC. ANY REPRODUCTION IN PART OR AS A WHOLE WITHOUT WRITTEN PERMISSION FROM SUPERIOR EQUIPMENT SOLUTIONS, INC. IS PROHIBITED.

DRAWN BY: ADRIAN CRISCI  
CREATED: 5/4/2011 10:00:06 AM

PROJECT TITLE:  
**ARTISAN ACCESORIES**

DRAWING TITLE:  
**ART-SB1 SIDE BURNER SPECIFICATIONS**

DRAWING NO.:  
**ART-SB1 SPEC SHEET**