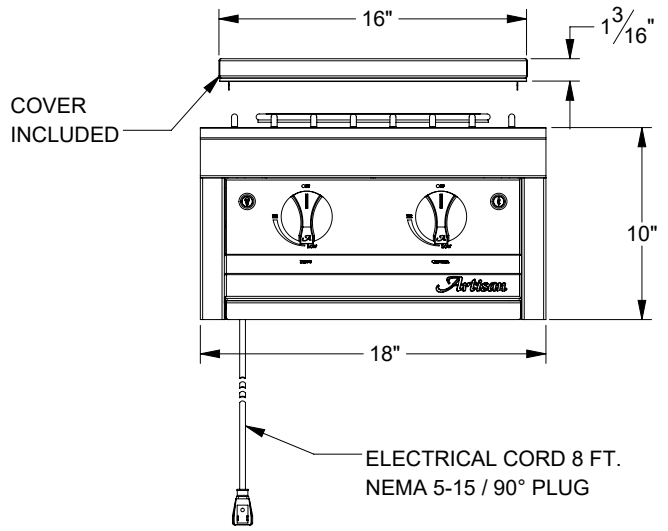
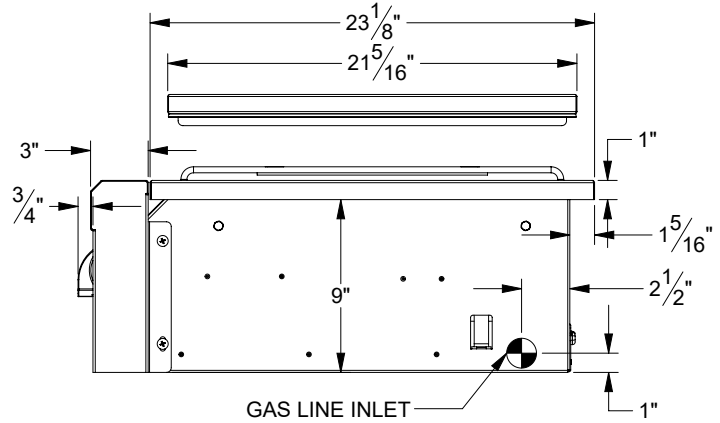


ARTP-24PB  
UNIT

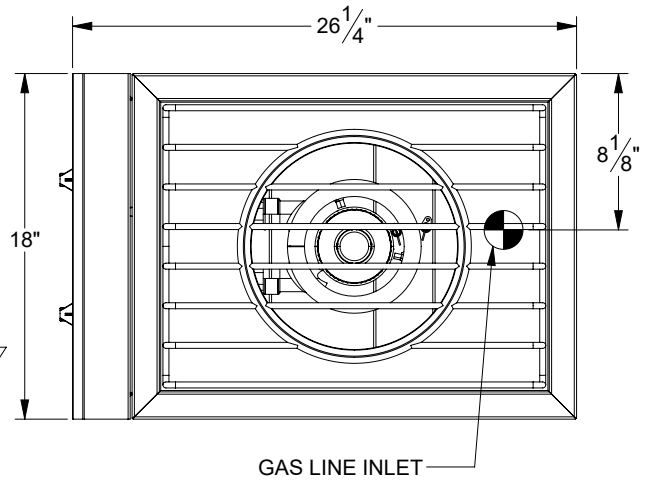
TYPICAL ARTP-18PB INSTALLATION



ELECTRICAL CORD 8 FT.  
NEMA 5-15 / 90° PLUG

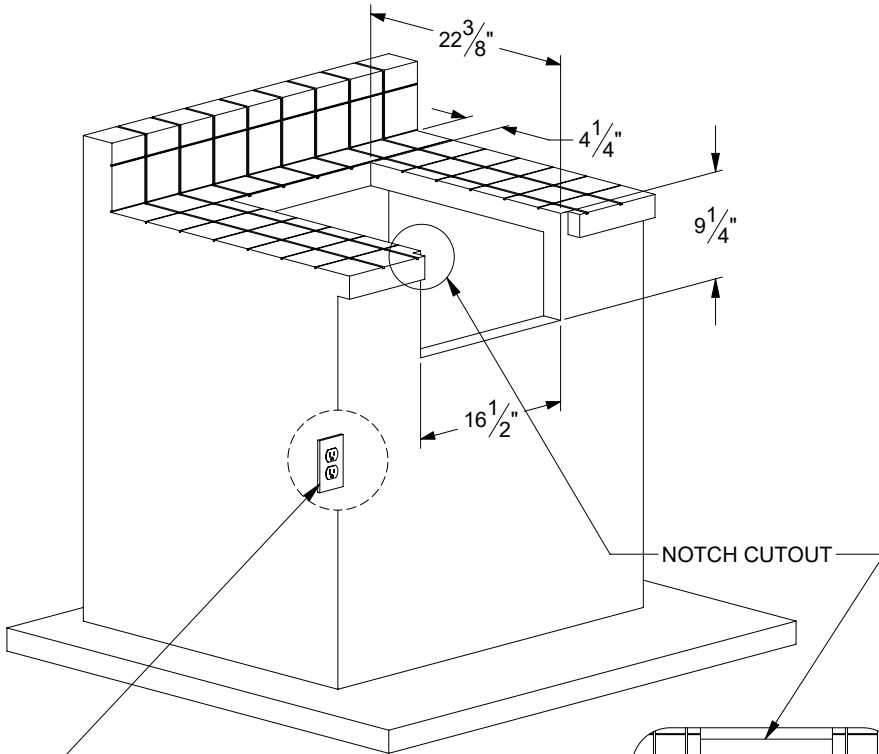


GAS LINE INLET



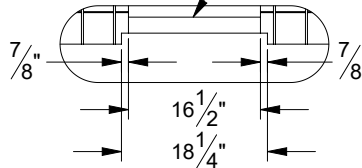
GAS LINE INLET

COUNTERTOP CUTOUTS



NOTCH CUTOUT

NOTE: ELECTRICAL POWER IS REQUIRED  
UNDER THE COUNTER (GFCI RECOMMENDED)



SPECIFICATIONS:

BTUH = 60,000  
FUEL = NG @ 5" W.C. OR LP @ 10" W.C.  
ELECTRICAL POWER = 115 VAC / 50-60 Hz.  
GAS CONNECTION = 1/2" NPT (NG) OR 3/8" ODF (LP)

LP GAS  
SETUP:

ADAPTER:  
1/2" MPT X 3/8" MPT

REGULATOR  
WITH 36" HOSE

NOTE:  
STANDARD UNIT HAS A NATURAL GAS (NG)  
CONNECTION WITH 1/2" FPT FITTING.

IF LIQUID PROPANE (LP) OPTION IS ORDERED  
THE UNIT IS SUPPLIED WITH A REGULATOR,  
HOSE AND ADAPTER FITTING AS SHOWN.

