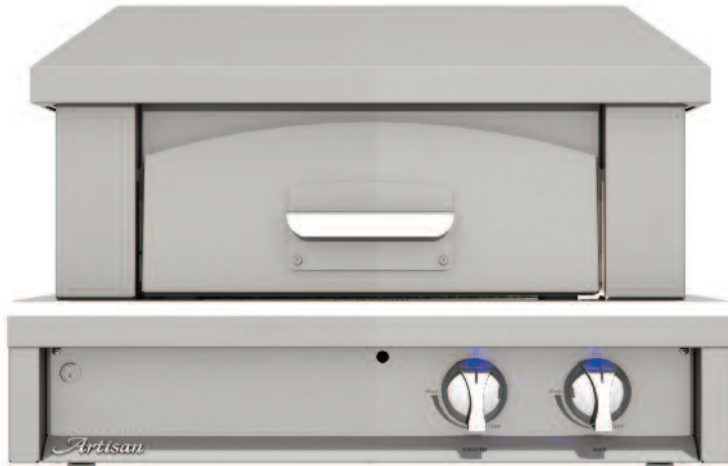


**ARTP-PZA**  
Pizza Oven

MAP  
\$4,399

MSRP  
\$4,888



Optional Access Doors

**Features**

- Flexible, controllable temperature options allow users to roast, bake, iron-skillet sear, and of course, cook perfect Neapolitan pizzas.
- All 30418-8 heli-arc welded stainless steel
- 7" high front opening
- Removable sit-in-place stainless steel front oven door
- 447 sq. in. of cooking space
- Preheats in 15 minutes, and reaches temperatures up to 800°F
- 3/4" thick high-quality ceramic slab hearth and ceiling for even intense radiating heat
- 16,000 BTU rated stainless steel U-burner under ceramic slab hearth
- Rear burner accelerates preheat time by distributing heat up to the ceramic ceiling slab for powerful top-down heat
- Natural air-cooling plenum keeps control panel cool to the touch
- Countertop installation with rear exhaust
- Removable top
- Halogen oven light
- Solid hot-surface ignition system
- Heat-protected silicone-sleeved wiring

Available Model:

**ARTP-PZA**

Optional:

**ARTP-DD Access Doors for storage.**

Dimensions:

**28 7/8 wide x 20" tall x 30" deep**

Specifications:

**BTUH = 38,000**

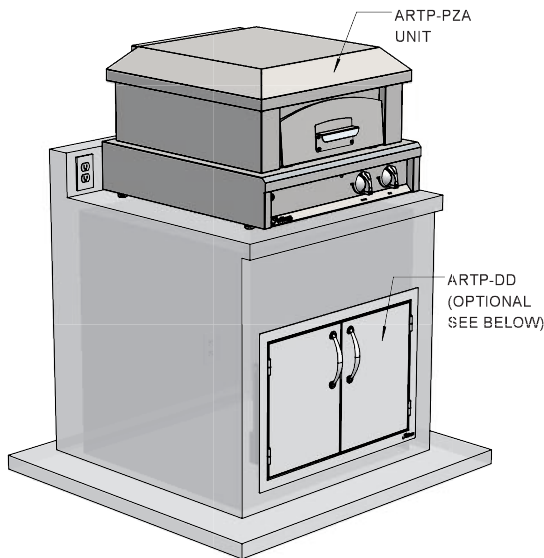
**Fuel NG @ 5" W.C. & LP @ 10" W.C.**

**Electrical Power = 115 VAC - 7.0 AMPS / 50-60 Hz.**

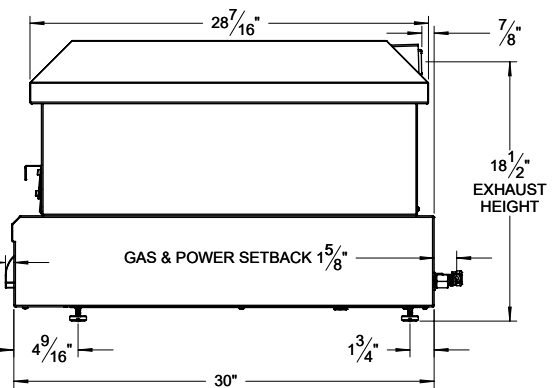
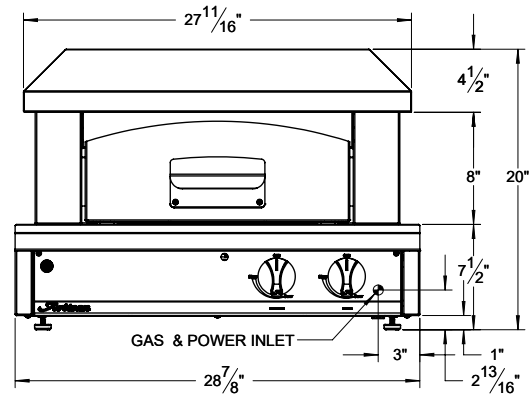
**Gas Connection = 1/2" NPT (NG) or 3/8" ODF (LP)**

Made in the USA

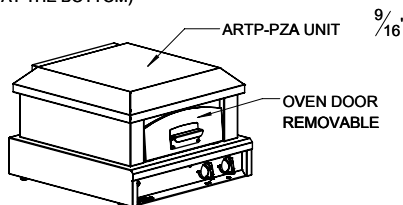




ARTP-PZA TYPICAL COUNTER INSTALLATION



**COUNTERTOP REQUIREMENTS**  
(FOR CONNECTIONS AT THE BOTTOM)



115 VAC POWER REQUIRED.  
FOR STANDARD COUNTERTOP  
INSTALLATION  
(GCFI RECOMMENDED)

3/8" RAISED LIP & SEALED TO COUNTERTOP  
TO PREVENT WATER INGRESS IS HIGHLY  
RECOMMENDED WHEN USING THE SETUP  
FOR OPTIONAL UNDERCOUNTER UTILITIES.

115 VAC POWER  
REQUIRED FOR  
UNDERCOUNTER  
OPTIONAL  
INSTALLATION.  
GCFI  
RECOMMENDED

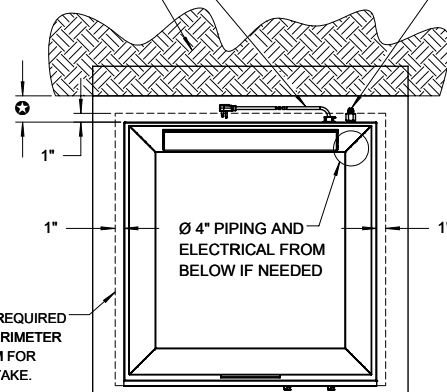
ARTP-DD ACCESS DOOR FOR  
SERVICE AND STORAGE IS  
OPTIONAL & RECOMMENDED  
FOR UNDERCOUNTER GAS  
& POWER UTILITIES.

**SPECIFICATIONS:**

BTUH = 38,000  
FUEL NG @ 5" W.C. & LP @ 10" W.C.  
ELECTRICAL POWER = 115 VAC - 7.0 AMPS / 50 ~ 60 Hz.  
GAS CONNECTION = 1/2" NPT(NG) OR 3/8" ODF (LP)

⊗ NON-COMBUSTIBLE  
WALL CONSTRUCTION

GAS & POWER AT BACK IS  
STANDARD, BUT CAN BE  
ROUTED FROM BELOW



1" CLEARANCE REQUIRED  
ALL AROUND PERIMETER  
AND AT BOTTOM FOR  
PROPER AIR INTAKE.

⊗ REFER TO THE ARTP-PZA MANUAL FOR PROPER CLEARANCE TO  
NON-COMBUSTIBLE MATERIAL AND OR OTHER CONSTRUCTION

Artisan Authorized Dealer:

Project/Client:

Date:

Contact: