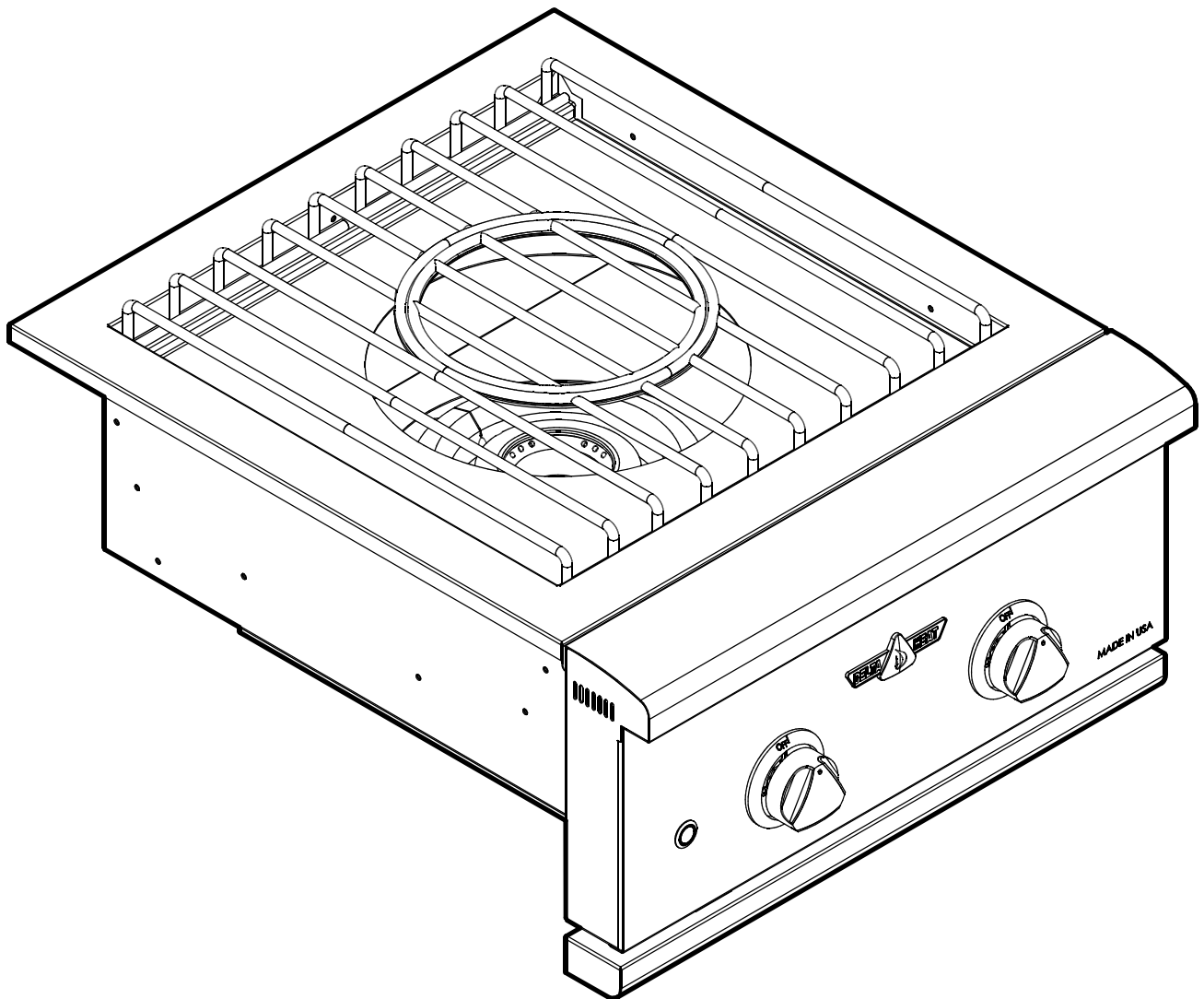




## DELTA HEAT POWER BURNER INSTALLATION, USE, & CARE MANUAL





# IMPORTANT SAFETY INSTRUCTIONS

**WARNING!** Read this manual carefully and completely before using your Power Burner to ensure proper operation, proper installation, proper servicing and to reduce the risk of fire, burn hazard and/or other injury.

**AVERTISSEMENT!** Lire ce manuel avec soin et en entier avant l'utilisation de votre barbecue afin d'en assurer un fonctionnement, une installation et un entretien adéquats et réduire le risque d'incendie, de brûlures et d'autres blessures.

<p style="text-align: center;"><b>DANGER</b></p> <p>If you smell gas:</p> <ol style="list-style-type: none"> <li>1. Shut off gas to the appliance.</li> <li>2. Extinguish any open flames.</li> <li>3. Open lid.</li> <li>4. If odor continues, keep away from the appliance and immediately call your gas supplier or fire department.</li> </ol>	<p style="text-align: center;"><b>DANGER</b></p> <p>S'il y a une odeur de gaz:</p> <ol style="list-style-type: none"> <li>1. Coupez l'admission de gaz de l'appareil.</li> <li>2. Éteindre toute flamme nue.</li> <li>3. Ouvrir le couvercle.</li> <li>4. Si l'odeur persiste, éloignez-vous de l'appareil et appelez immédiatement le fournisseur de gaz ou le service d'incendie.</li> </ol>
<p style="text-align: center;"><b>WARNING</b></p> <ol style="list-style-type: none"> <li>1. Do not store or use gasoline or other flammable vapors and liquids in the vicinity of this or any other appliance.</li> <li>2. An LP cylinder not connected for use shall not be stored in the vicinity of this or any other appliance.</li> </ol>	<p style="text-align: center;"><b>AVERTISSEMENT</b></p> <ol style="list-style-type: none"> <li>1. Ne pas entreposer ni utiliser de l'essence ni d'autres vapeurs ou liquides inflammables dans le voisinage de l'appareil, ni de tout autre appareil.</li> <li>2. Une bouteille de propane qui n'est pas raccordée en vue de son utilisation, ne doit pas être entrposée dans le voisinage de cet appareil ou de tout autre appareil.</li> </ol>
<p style="text-align: center;"><b>THIS GRILL IS FOR OUTDOOR USE ONLY:</b></p> <p>If stored indoors, detach and leave L.P. cylinder outdoors</p>	<p style="text-align: center;"><b>CE GRIL EST POUR UTILISATION à L'EXTÉRIEUR SEULEMENT:</b></p> <p>Si l'appareil est entreposé à l'intérieur, enlever les bouteilles et les laisser à l'extérieur.</p>
<p style="text-align: center;"><b>BEFORE LIGHTING</b></p> <ol style="list-style-type: none"> <li>1. Read instructions before lighting.</li> <li>2. Open lid during lighting.</li> <li>3. If ignition does not occur in 5 seconds, turn the burner control(s) off, wait 5 minutes, and repeat the lighting procedure.</li> </ol>	<p style="text-align: center;"><b>AVANT D'ALLUMER L'APPAREIL</b></p> <ol style="list-style-type: none"> <li>1. Lisez les instructions avant d'allumer l'appareil.</li> <li>2. Ouvrez le couvercle avant d'allumer l'appareil.</li> <li>3. Si l'appareil ne s'allume pas en 5 secondes, fermez le robinet du brûleur, attendez 5 minutes, et procédez de nouveau à l'allumage.</li> </ol>
<p style="text-align: center;"><b>FOR YOUR SAFETY</b></p> <p>Do not store or use gasoline or other flammable vapors and any liquids in the vicinity of this or any other appliance.</p>	<p style="text-align: center;"><b>MESURE DE SECURITE</b></p> <p>Ne pas entreposer ni utiliser d'essence ni autres vapeurs ou liquides inflammables à proximité de cet appareil ou de tout autre appareil.</p>

# A Special Message to our Customers...

---

Congratulations on your purchase of Delta Heat Power Burner. Delta Heat is committed to making outdoor cooking products you'll be proud to own for years.

This manual gives you easy to follow instructions for installing, operating and maintaining your Delta Heat Power Burner. We recommend reading this manual carefully before your first use to ensure safety, proper care and operation.

Thank you and welcome!  
Delta Heat

## FOR YOUR RECORDS

Please record the following information and refer to them when contacting the company or an authorized service agent. This information is found on the data nameplate, located on the bottom right side of the body, near the regulator. Remove the drip tray to visually access the nameplate from the front of the Power Burner.

MODEL #:

---

SERIAL #:

---

DATE OF PURCHASE:

---

PLACE OF PURCHASE:

---

TYPE OF GAS: NG \_\_\_\_\_ LP \_\_\_\_\_



To the Installer:

Please read these instructions carefully before installation and give this manual to the owner.

To the Owner:

Keep this manual in a safe place for future reference.

# GENERAL SAFETY REQUIREMENTS

---

- The installation of this appliance must conform with local codes or, in the absence of local codes, either the *National Fuel Gas Code, ANSI Z223.1/NFPA 54, Natural Gas and Propane Installation Code, CSA B149.1 or Propane Storage and Handling Code, B149.2*
- The utilization of an external electrical source requires that when installed, this outdoor cooking gas appliance must be electrically grounded in accordance with the local codes or, in the absence of local codes, with the *National Electrical Code, ANSI/NFPA 70, or the Canadian Electrical Code, CSA C22.1*. Keep any electrical supply cord, or the fuel supply hose away from any heated surfaces.
- This outdoor cooking gas appliance shall be used only outdoors and shall not be used in a building, garage or any other enclosed area.
- This outdoor cooking gas appliance is not intended to be installed in or on recreational vehicles and /or boats.
- **Minimum clearance of 12 inches from the back and sides of the Power Burner to adjacent combustible construction must be maintained. This outdoor cooking gas appliance shall not be located under overhead-unprotected combustible construction.**
- Keep your Power Burner in an area clear and free from combustible materials, gasoline and other flammable vapors and liquids.
- DO NOT obstruct the flow of combustion and ventilation air to this appliance. Keep the ventilation openings of the cylinder enclosure free and clear from debris.
- Check all gas connections for leaks with soapy water solution and brush. Never use an open flame. (Reference page 6 for leak test procedure).
- Check flexible hoses for cuts and wear that may affect the safety before each use.
- Always use caution when operating the power burner in a windy area.
- Never use the Power Burner without the drip pan installed and push all the way to the back of the Power Burner. Without the drip pan, hot liquid and debris could leak downward and produce a fire hazard.
- The pressure regulator supplied with the Delta Heat Gas Power Burner must be used. Replacement pressure regulators must be those specified by Delta Heat.

## **⚠WARNING: CALIFORNIA PROPOSITION 65**

This product can expose you to chemicals including carbon monoxide which is known to the State of California to cause cancer and reproductive harm. To minimize exposure to the by-products of the burning fuel or from combustion, always operate this unit according to the use and care manual and provide good ventilation. California law requires businesses to warn customers of potential exposure to such substances. For more information go to [www.P65Warnings.ca.gov](http://www.P65Warnings.ca.gov).

## **⚠AVERTISSEMENT: PROPOSITION 65 DE L'ETAT DE LA CALIFORNIE**

Cet appareil peut vous exposer aux produits chimiques et au gaz monoxyde de carbone reconnue dans l'Etat de la Californie pour causer le cancer et des problemes de fertilité. Pour minimiser l'exposition de ces-sous produits combustibles ou de la combustion, utiliser toujours cet appareil en conformitee au manuel d'utilisation et d'entretien en s'assurant egalement d'une bonne ventilation. La loi de la Californie exige aux fabricants d'informer leurs clients aux risques d'exposition potentielle a de telles substances. Pour plus d'information, visiter le site [www.P65Warnings.ca.gov](http://www.P65Warnings.ca.gov)

**In Massachusetts:** All gas products must be installed using a "Massachusetts" licensed plumber or gasfitter. A "T" handle type manual gas valve must be installed in the gas supply line to this appliance. This applies to permanently installed natural gas and propane installations. This does not apply to propane portable installations using a 20 pound tank.

# TABLE OF CONTENTS

---

GETTING STARTED	1
LOCATING THE POWER BURNER	2
GAS SAFETY REQUIREMENTS	3
LP GAS HOOK-UP	4
NATURAL GAS INSTALLATION	5
LEAK TEST	6
ELECTRICAL REQUIREMENT	7-8
WIRING DIAGRAM	9
BURNER FLAME / AIR SHUTTER ADJUSTMENT	10
POWER BURNER CUT-OUT DIMENSIONS	11
INSULATION JACKET	12
OPERATING INSTRUCTIONS	13
CLEANING & MAINTENANCE	14-15
EXPLODED VIEW	16
REPLACEMENT PARTS LIST	17
TROUBLE SHOOTING GUIDE	18
WARRANTY	19
HOW TO OBTAIN SERVICE	21

# GETTING STARTED

---

1. Remove all packaging materials, labels and protective plastic film. DO NOT LEAVE UNIT UNDER THE SUN WITH PROTECTIVE PLASTIC FILM ON FOR A LONG PERIOD OF TIME AS IT WILL BE DIFFICULT TO REMOVE THE FILM.
2. Check to ensure that all Power Burner accessories listed below are included.
3. Fill out the Warranty Registration Card and mail it to the indicated address.

POWER BURNER ACCESSORIES	DHPW22-N	DHPW22-L
GRATE, ROUND, STAINLESS STEEL	1	1
GRATE, ROUND, MIDDLE, STAINLESS STEEL	1	1
REGULATOR, NG (NG POWER BURNER ONLY)	PRE-INSTALLED	
REGULATOR, LP (LP POWER BURNER ONLY)		PRE-INSTALLED

SPECIFICATIONS	VALUE
COUNTER OPENING HEIGHT	11.50"
COUNTER OPENING WIDTH	19.50"
COUNTER OPENING DEPTH	20.75"
BTU	60,000
NG ORIFICE OUTER RING	#33
NG ORIFICE INNER RING	#43
LP ORIFICE OUTER RING	#50
LP ORIFICE INNER RING	#54

# LOCATING THE POWER BURNER

---

This gas appliance is designed and certified for outdoor use only. Do not locate this Power Burner under overhead combustible surfaces. Do not operate the Power Burner inside a building, garage, recreation vehicle or any enclosed area. CAUTION should be taken when grills are used near glass, vinyl siding or other temperature sensitive construction materials. In some cases it may be necessary to increase the clearance around the grill to avoid damage to vinyl siding. Check with the manufacturer of the siding material for details. When choosing an area, consider exposure to wind, proximity to traffic paths and length of gas supply line. Keep gas supply lines as short as possible to reduce pressure drop. Keep the Power Burner away from windy area but keep the Power Burner in a well-ventilated area. Do not obstruct the flow of combustion and ventilation air around the Power Burner. The supporting edges of the Power Burner must be located level and flat. The counter should also be leveled.

## **CLEARANCE TO COMBUSTIBLE CONSTRUCTION**

**A minimum clearance of 12" from the sides and 12" from the back of the Power Burner** to adjacent vertical combustible construction must be maintained.

## **DÉGAGEMENT DE TOUTE CONSTRUCTION COMBUSTIBLE**

Il faut maintenir une distance minimum de **12 po (30.48 cm)** sur les côtés et de **12 po (30.48 cm)** sur l'arrière du gril par rapport aux constructions combustibles verticales adjacentes.

## **CLEARANCE TO NONCOMBUSTIBLE CONSTRUCTION**

**A minimum clearance of 1" from the back of the Power Burner** above cooking surface to non-combustible construction is required.

**A minimum of 1" clearance to the sides of the Power Burner** above cooking surface to non-combustible construction is recommended. The Power Burner can be installed directly next to non-combustible construction below the cooking surface.

## **DÉGAGEMENT DE TOUTE CONSTRUCTION INCOMBUSTIBLE**

Une distance minimum de **1 po (2.54 cm)** de l'arrière du Puissant Bruleur au-dessus de toute surface de cuisson à la construction incombustible est prescrite. Une distance minimum de **1 po (2.54 cm)** des côtés du Puissant Bruleur au-dessus de la surface de cuisson à la construction incombustible est recommandée. Le Puissant Bruleur peut être installé directement à proximité d'une construction incombustible en-dessous de la surface de cuisson.



# GAS SAFETY REQUIREMENTS

---

Each appliance is set and tested at the factory for the type of gas supply to be used. Identify the type of gas, either natural gas or LP gas and make sure that the marking on the data plate (rating plate) matches the gas being supplied to the Power Burner. The data plate is located on the panel behind the control panel of the Power Burner. Remove the drip pan to visually access the nameplate label from the front of the Power Burner. A second label with model number and serial number is located under the right side of the control panel.

All gas connections should be made by a qualified technician and in accordance with local codes and ordinances. The installation must conform with local codes or, in the absence of local codes, with either the National Fuel Gas Code, ANSI Z223.1/NFPA 54, Natural Gas and Propane Installation Code, CSA B149.1 or Propane Storage and Handling Code, B149.2

## **WARNING:**

**CHECK TO ENSURE THAT THE GAS SUPPLY HOSE OR POWER SUPPLY CORD DOES NOT COME IN CONTACT WITH ANY HOT SURFACE OF THE POWER BURNER.**

**NEVER CONNECT THE POWER BURNER TO AN UNREGULATED GAS SUPPLY.**

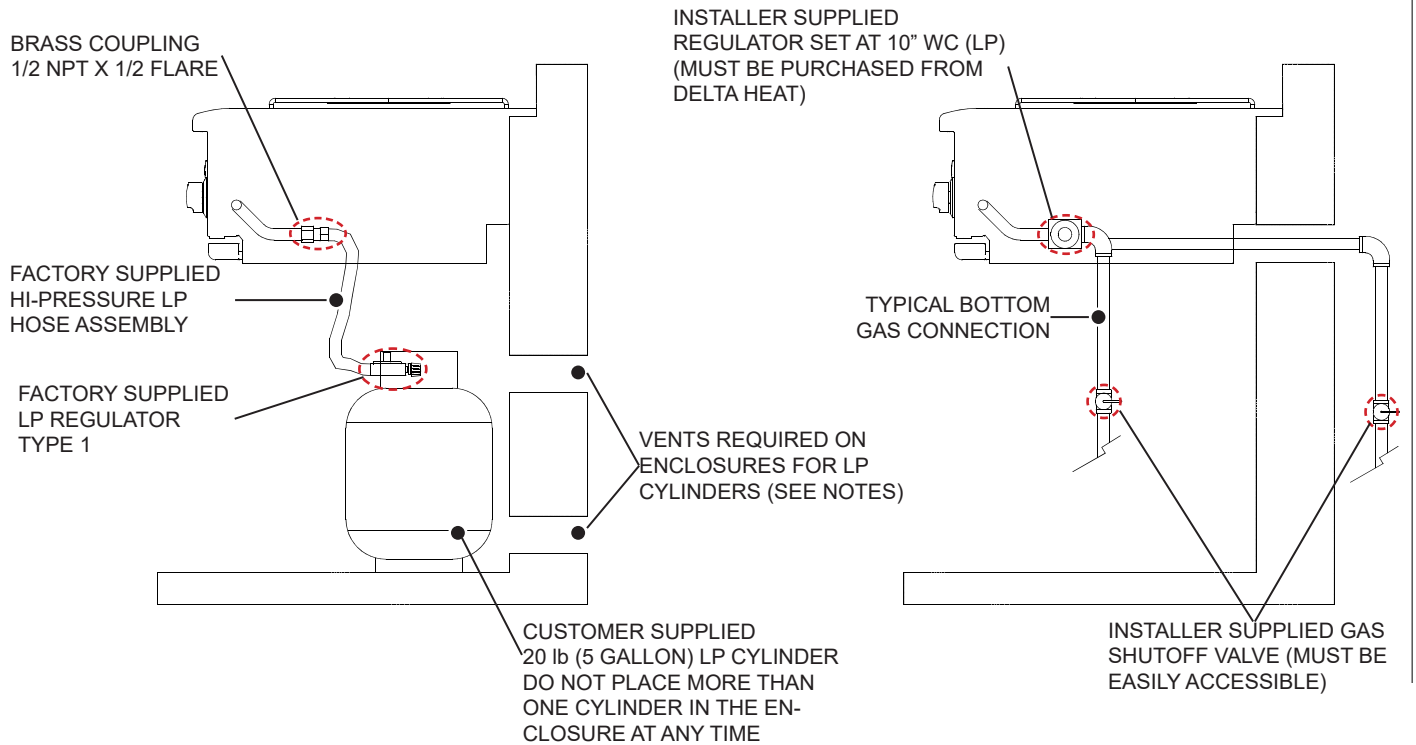
## **L.P. GAS SAFETY REQUIREMENT**

The LP-gas supply cylinder must be constructed and marked in accordance with the Specifications for LP-gas Cylinders of the U.S. Department of Transportation (D.O.T.) or the National Standards of Canada CAN/CSA-B339, Cylinders, Spheres and Tubes for the Transportation of Dangerous Goods, and Commission, as applicable; and

1. Provided with a listed overfilling prevention device.
  2. Provided with a cylinder connection device compatible with the connection for outdoor cooking appliances.
- It must be provided with a shut-off valve terminating in gas tank valve outlet. It must include a collar to protect the cylinder valve. The cylinder supply system must be arranged for vapor withdrawal.
  - Do not operate the gas grill indoors or in any enclosed area. If the gas grill is not in use, the gas must be turned off at the supply cylinder. If the grill is to be stored indoors, disconnect the gas supply cylinder and leave the cylinder outdoors out of reach of children and must not be stored in a building, garage or any other enclosed area.

# LP GAS HOOK-UP

Install the factory-supplied hose and regulator assembly as shown. Connect the 3/8" flare end of the hose to the grill coupling using a 3/4" open wrench. Do not apply pipe sealant to the 3/8" flare connection. Connect the regulator to the LP cylinder hand tighten it, do not use a wrench. Check for leaks using soapy water solution. (Reference page 6 for leak test procedure).



**TYPICAL BOTTLE LP GAS  
HOOK-UP**

**TYPICAL PLUMB-IN GAS  
HOOK-UP**

*Note: An enclosure for an LP gas cylinder shall be ventilated by openings at both the upper and lower levels of the enclosure. The effectiveness of the opening(s) for purposes of ventilation shall be determined with the LP cylinder in place. This shall be accomplished by one of the following:*

- a. *one side of the enclosure shall be completely open; or*
- b. *for a cylinder enclosure having four sides, a top and a bottom, and intended for installation in a built-in enclosure:*
  - i. *at least one ventilation opening shall be provided on the exposed exterior side of the enclosure located within 5 in (127 mm) of the top of the enclosure and unobstructed. The opening(s) shall have a total free area of not less than 1 in<sup>2</sup>/lb (14.2 cm<sup>2</sup>/kg) of stored fuel capacity.*
  - ii. *at least one ventilation opening shall be provided on the exposed, exterior side of the enclosure 1 in (25.4 mm) or less from the floor and shall have a total free area of not less than 1/2 in<sup>2</sup>/lb (7.1 cm<sup>2</sup>/kg) of stored fuel capacity. The upper edge shall be no more than 5 in (127 mm) above the floor level.*
  - iii. *every opening shall have a minimum dimension so as to permit the entrance of a 1/8 in (3.2 mm) rod.*

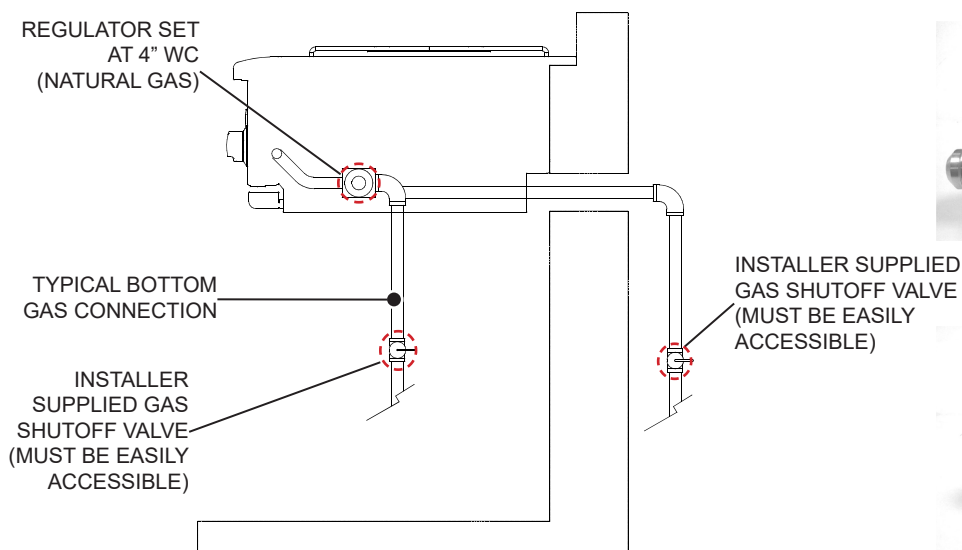
# NATURAL GAS INSTALLATION

The installation must conform with local codes or, in the absence of local codes, with either the *National Fuel Gas Code, ANSI Z223.1/NFPA 54, Natural Gas and Propane Installation Code, CSA B149.1* or *Propane Storage and Handling Code, B149.2*.

1. This gas appliance and its individual shutoff valve must be disconnected from the gas supply piping system during any pressure testing of that system at the test pressures in excess of 1/2 psi (3.5 kPa).
2. This appliance must be isolated from the gas supply piping system by closing its individual manual shutoff valve during any pressure testing of the gas supply piping system at test pressures equal to or less than 1/2 psi (3.5 kPa).

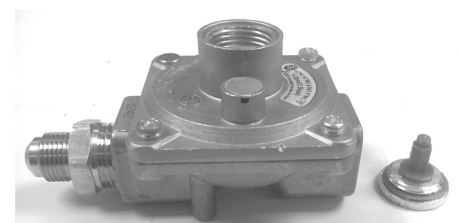
If the gas grill is factory built for Natural Gas, the regulator supplied is set for 4" water column. The regulator is convertible to 10 in wc (2.49 kPa) for plumb-in system LP application. Do not use with a 20-lb LP cylinder. Make sure that the regulator is set for the correct gas type. To check, remove the brass hex cap. You will find the conversion plastic pin attached to the cap to the underside of the cap. If the disc (1/2 in. diameter) of the pin is close to the cap, then the regulator is set for Natural Gas. If the disc is at the tip of the pin, away from the brass cap, the regulator is set for system LP application. To convert to Natural Gas, remove the plastic conversion pin and invert and replace it back in a manner such that the disc is close to the brass cap. For both Natural and LP, the maximum inlet pressure is 14 in wc (3.5 kPa).

A typical Natural Gas installation is shown below. Make sure that the factory-supplied regulator is used and installed with the arrow mark on the regulator pointing towards the gas grill. Do not use any replacement regulator other than that specified by DELTA HEAT. Use only pipe sealants that are approved for use with Natural and LP gases. An installer-supplied gas shutoff valve must be installed in an accessible location.

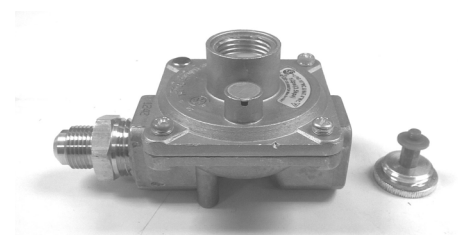


## TYPICAL NATURAL GAS HOOK UP

CAUTION: PROVIDE ADEQUATE VENTILATION HOLES IN THE ENCLOSURE FOR SAFETY PURPOSES IN THE EVENT OF GAS LEAK.



SET TO NG



SET TO LP

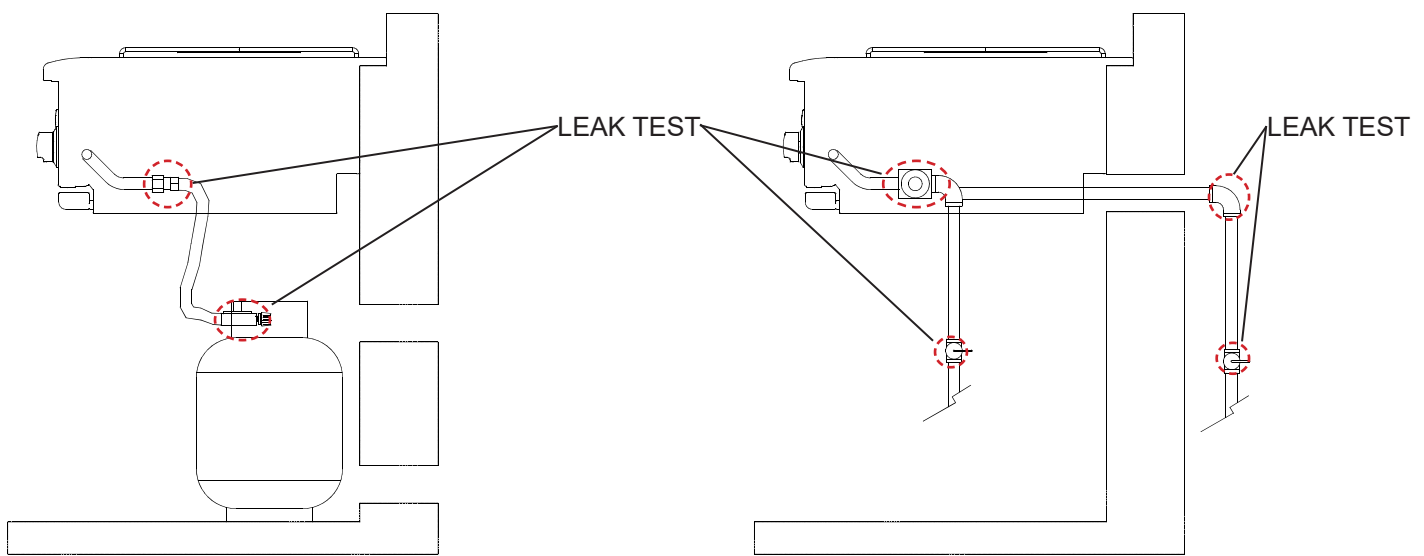
# LEAK TEST

## CAUTION BEFORE TESTING

- Finding and/or fixing a gas leak is NOT a “DO-IT-YOURSELF” procedure.
- NEVER USE THE GRILL WITHOUT FIRST LEAK TESTING THE GAS CONNECTIONS.
- WARNING: DO NOT USE OPEN FLAME TO CHECK FOR LEAKS. USE OF AN OPEN FLAME COULD RESULT IN A FIRE, EXPLOSION, BODILY HARM OR DEATH.
- DO NOT SMOKE WHILE PERFORMING THE LEAK TEST!
- To prevent fire or explosion hazard, DO NOT use or permit sources of ignition in the area while performing a leak test. Perform leak test outdoors only.
- Check to ensure that flexible hoses do not have any cuts and wear that may affect the safety before each use. Only the factory supplied hose and regulator must be used. Use only replacement regulator and hose assemblies specified by DELTA HEAT.

## LEAK TEST

1. Prepare a leak testing solution of sudsy water by mixing in a spray bottle with half liquid soap and half water.
2. Confirm that all control knobs are in the OFF position.
3. Turn the main gas valve supply ON.
4. Apply leak testing solution by spraying on the pipe joints, fittings, and hose.
5. A gas leak is detected if;
  - f. there is a faint gas smell and/or...
  - g. growing bubbles appear on any of the connection points and/or hose, DO NOT attempt to ignite the Power Burner and IMMEDIATELY turn off the gas supply valve.
6. When there is a gas leak, call a qualified service technician. DO NOT use the Power Burner until the leak is corrected.



**TYPICAL BOTTLE LP GAS  
HOOK-UP**

**TYPICAL NATURAL GAS  
HOOK-UP**

# ELECTRICAL REQUIREMENT

## TO INSTALL AND SECURE POWER TRANSFORMER

The Power Burner is equipped with LED lights that have a power transformer with an attached power supply cord. This transformer must be secured in a dry location and away from the grill firebox and excessive heat area.

- a. In a built-in application secure the transformer box near the GFCI 120V outlet in a dry location and away from the Power Burner firebox and excessive heat area. (Fig. 1)
- b. Make the transformer connections to the wire harness plug, located at the left rear of the front panel, to the harness of the transformer box. (Fig. 2)
- c. Plug-in the transformer's power cord to the properly grounded GFCI 120V outlet.
- d. A side burner plug to provide electrical power for side burner is located at the right rear of the front panel. (Fig. 3)

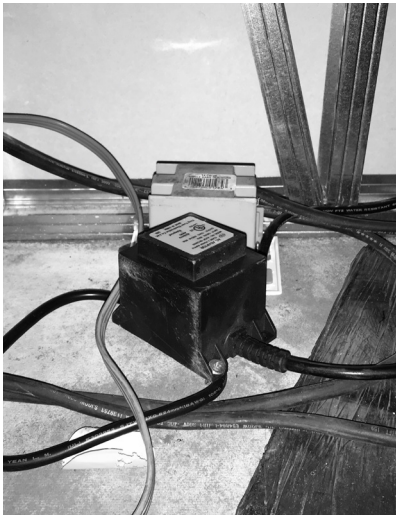


FIG. 1

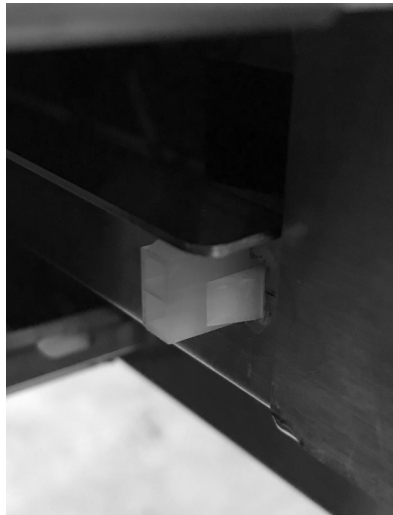


FIG. 2



FIG. 3

### WARNING

Electrical Grounding Instructions:  
This outdoor gas cooking appliance is equipped with a three prong (grounding) plug for your protection against shock hazard and should be plugged directly into a properly grounded three prong outlet. Do not cut or remove the third prong from this plug.

### AVERTISSEMENT

Instruction pour la mise à la terre électrique:  
Cet appareil est muni d'une fiche à trois broches (mise à la terre) afin de vous protéger des chocs et doit être branché directement dans une prise de courant à trois broches adéquatement mise à la terre. Il ne faut pas couper ou enlever la broche de mise à la terre de cette fiche.

# ELECTRICAL REQUIREMENT - cont.

---

The appliance should only be taken apart by a qualified technician, or electrical shock may occur. It is rated at 120VAC, 50/60Hz, and 2.2A.

**REMINDER:** Keep any electrical supply cord and the fuel supply hose away from any heated features.

## **WARNING**

### Electrical Grounding Instructions:

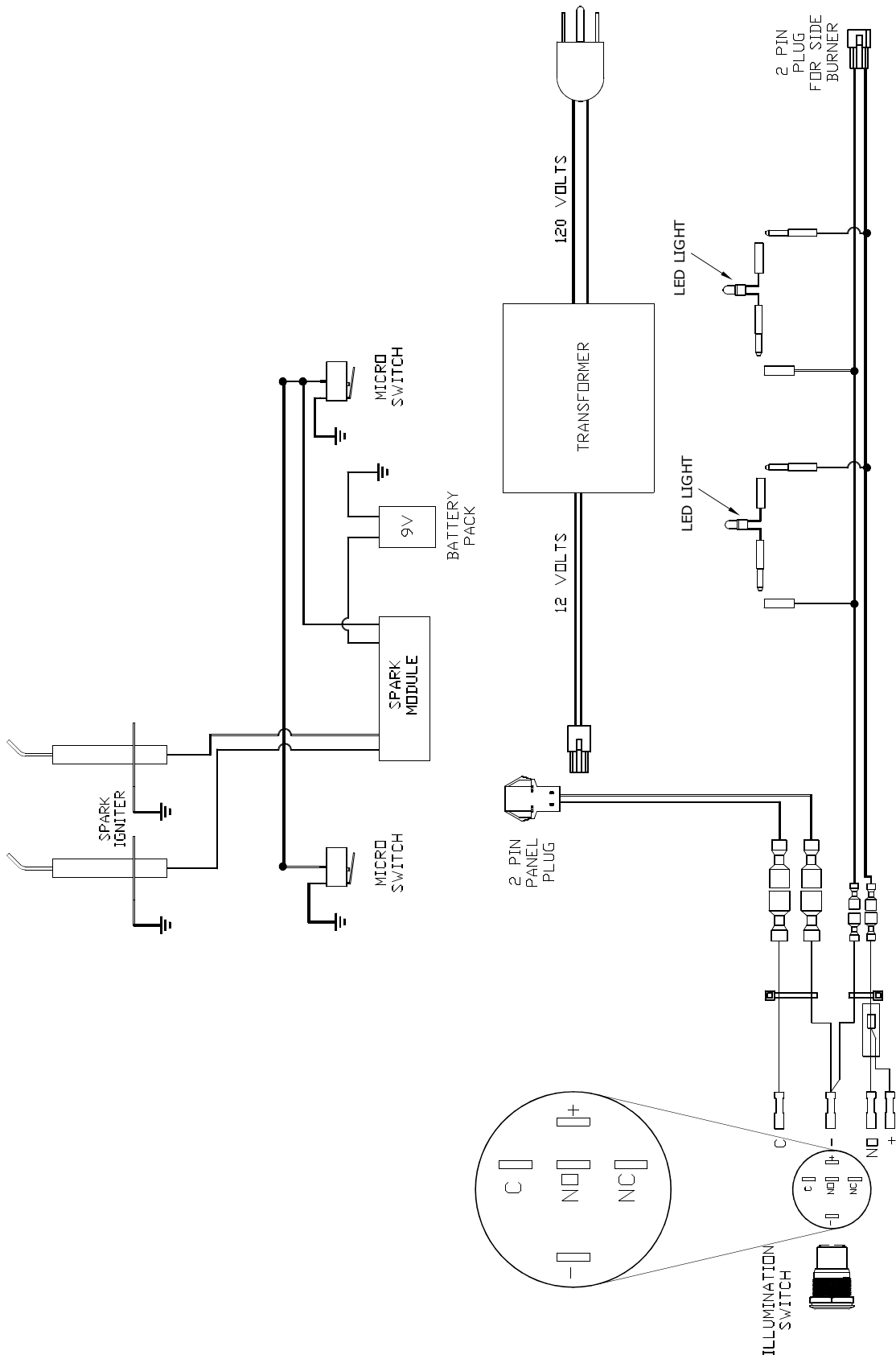
This outdoor gas cooking appliance is equipped with a three prong (grounding) plug for your protection against shock hazard and should be plugged directly into a properly grounded three prong outlet. Do not cut or remove the third prong from this plug.



Electrical equipment provided with the outdoor cooking appliance shall follow these guidelines:

1. To protect against electrical shock, do not immerse cord or plugs in water or other liquid;
2. Unplug from the outlet when not in use and before cleaning. Allow to cool before putting on or taking off parts;
3. Do not operate any outdoor cooking gas appliance with a damaged cord, plug, or after the appliance malfunctions or has been damaged in any manner. Contact the manufacturer for repair;
4. Do not let cord hang over the edge or touch hot surfaces;
5. Do not use an outdoor cooking gas appliance for purposes other than intended;
6. When connecting, first connect plug to the outdoor cooking gas appliance then plug appliance into outlet;
7. Use only Ground Fault Interrupter (GFI) protected circuit with this outdoor cooking gas appliance;
8. Never remove the grounding plug or use with an adapter of two prongs; and
9. Use only extension cords with three prong grounding plug, rated for the power of the equipment, and approved for outdoor use with a W-A marking.

# WIRING DIAGRAM





# BURNER FLAME / AIR SHUTTER ADJUSTMENT

---

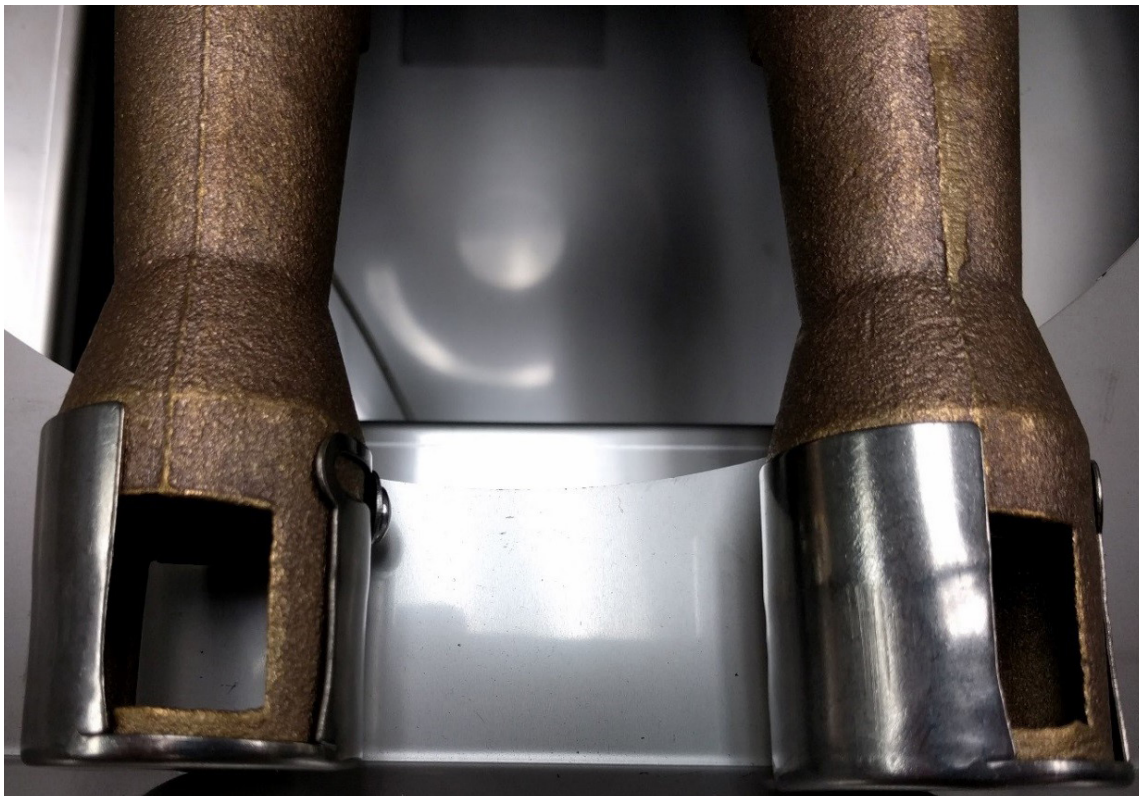
Each burner is tested and adjusted at the factory prior to shipment; however, variations in the local gas supply may make it necessary to adjust the burners. The flames of the burner ring should be visually checked. Flames should be blue and stable with little to no yellow tips, no excessive noise or lifting. If any of these conditions exist, remove the burner and check to see if any air shutter or burner ports are blocked by dirt, debris, spider webs, etc. if it is clear, the air shutter may need to be adjusted.

**ADJUSTING THE GRILL BURNER FLAME** - The amount of air is controlled by a sheet metal cup at the inlet of the burner called an air shutter. It is locked in place by a set screw which must be loosened prior to lighting the burner for adjustment. The air shutter adjustment screws are accessible with a phillips screwdriver. Loosen the lock screw of the air shutter. Adjust according to the following directions. **Be careful as the burner may be very hot.**

- If the flame is yellow, indicating insufficient air, turn the air shutter counter-clockwise to allow more air to the burner.
- If the flame is noisy and tends to lift away from the burner, indicating too much air, turn the air shutter clockwise.

**Remember to tighten the set screw prior to re-installing the burner.**

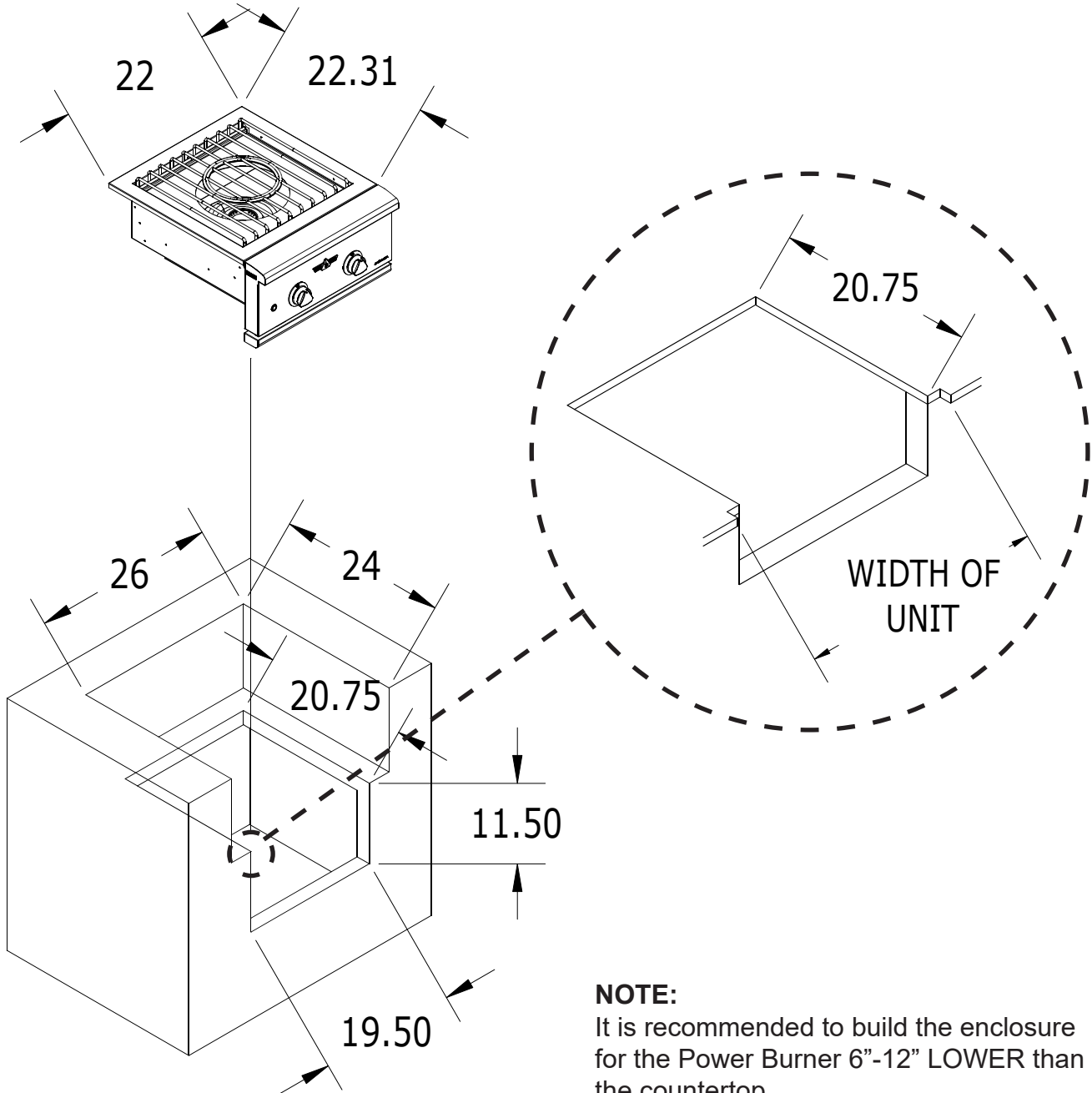
**ENSURE THAT THE BURNERS ARE SITTING PROPERLY ON THE ORIFICES BEFORE LIGHTING THE BURNERS.**





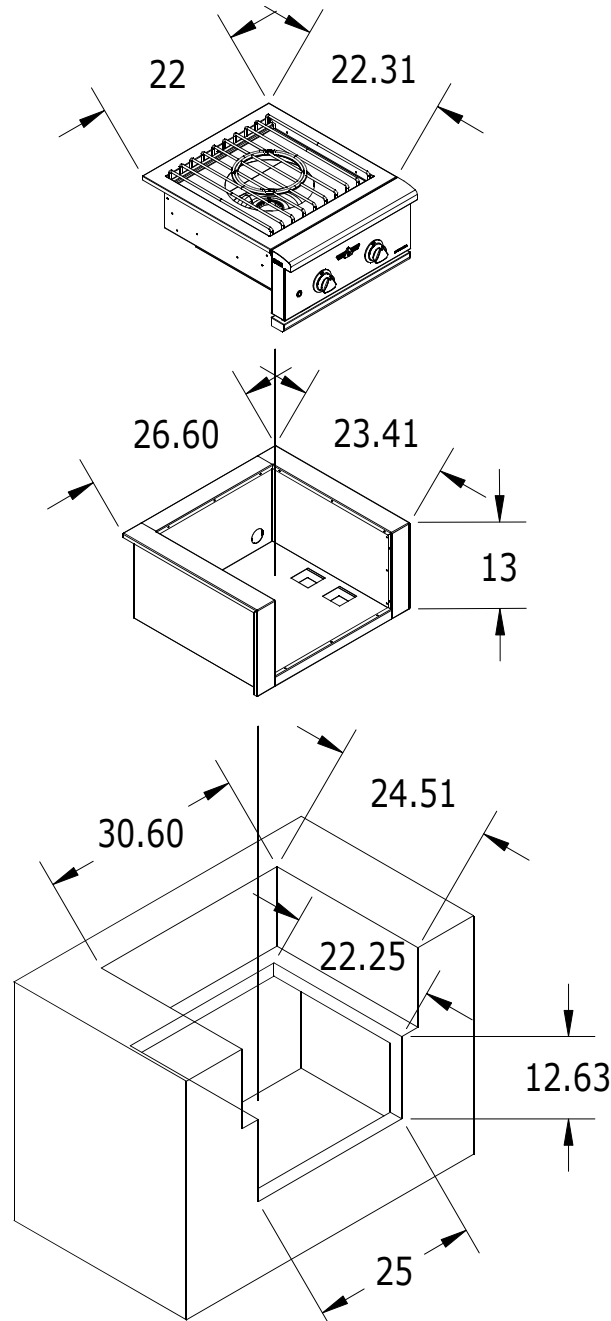
# POWER BURNER CUT-OUT DIMENSIONS

THESE DIMENSIONS ARE FOR NON-COMBUSTIBLE CONSTRUCTION ONLY. FOR COMBUSTIBLE CONSTRUCTION SEE NEXT PAGE.



# INSULATION JACKET

---



## WARNING

Do not build the Power Burner under overhead combustible construction. If the Power Burner is to be placed into combustible enclosure, an approved insulating jacket is necessary to prevent fire, property damage and bodily injury. Use only Delta Heat (DHIJ22) insulating jacket.

## IMPORTANT

If using LP gas cylinder and insulation jacket (DHIJ22), use stainless flexible hose to connect LP gas cylinder to grill regulator.

# OPERATING INSTRUCTIONS

---

## BEFORE LIGHTING THE POWER BURNER DO NOT ATTEMPT TO LIGHT THE POWER BURNER IF YOU SMELL GAS

- **WARNING! IT IS CRITICAL THAT THE GAS BURNER IS PROPERLY INSTALLED WITH THEIR ORIFICES INSIDE THE BURNERS AIR SHUTTERS. If not properly installed, gas may leak outside of the burner that could lead to fire, potential damage to your Power Burner and bodily injury.**
- Inspect the gas supply piping or hose prior to turning the gas ON. If there is evidence of cuts, wear, or abrasion, it must be replaced prior to use. The replacement pressure regulator and hose assembly must be the type specified by the manufacturer. Do not use the Power Burner if the odor of gas is present. The pressure regulator and hose assembly supplied with the units must be used.
- If the unit is LP, screw the regulator and hand tighten to the valve of the cylinder and leak check the hose and regulator connections with a soap and water solution before operating the Power Burner. Reference page 6 for leak test procedure.
- Always keep your face and body as far away as possible when lighting.
- Refer to spiders and insects warning and procedure under the cleaning and maintenance page of this manual.

## TO LIGHT THE POWER BURNER'S BURNER

1. Open the gas supply shut-off valve.
2. Push in the knob and verify that the igniter sparks. If the igniter does not spark, replace the 9V battery. (Reference page 7 for electrical requirements).
3. Once sparking is verified, simultaneously push-in and turn the knob counter-clock-wise to the biggest flame marking on the bezel. Hold the knob pushed in until you see or hear a flame, then you can release the knobs.

**CAUTION:** If ignition does not take place within 5 seconds, turn knob to the OFF position, wait for five minutes and repeat step 3.

## MATCH/BBQ LIGHTER LIGHTING INSTRUCTIONS:

The burner can be lit manually using a paper book match with the supplied lighting wand, lighted long match, taper or BBQ lighter if there is no spark from the spark igniters.

1. Insert a lit match or BBQ lighter through the grates and near the top of the burner. Once you see or hear a flame you can release the knob.

**IMPORTANT:** If burner fails to light within 5 seconds, turn off gas and wait 5 minutes before repeating the process.

**WARNING:** If you smell gas, shutoff the gas supply and immediately check for leaks using the soapy water technique outlined in the Leak Test section (Pg 6).

# CLEANING & MAINTENANCE

---

Proper care, maintenance, and cleaning will help ensure a long life of your Power Burner. Periodic cleaning will help avoid accumulations of flammable grease, fats, and other debris.

**CAUTION:** Always allow the Power Burner to cool before cleaning.

## **STAINLESS STEEL & GENERAL PRODUCT CARE:**

To keep your Power Burner free of surface corrosion and in good working order, it is important to take additional precautions under certain conditions.

If your Power Burner is located in corrosive conditions, such as:

- A coastal environment where corrosive salty air is present
- Near a swimming pool, hot tub or water feature with exposure to corrosive pool chemicals and/or chlorinated water
- Areas where muriatic acid (hydrochloric acid) or other corrosive cleaning solutions are used to clean concrete and masonry
- Areas where corrosive masonry dust and debris are created by cutting stone or mixing cements

These conditions can create a highly corrosive environment that will cause the corrosion resistant type 304 stainless steel to develop surface oxidation, corrosion or rust.

Delta Heat products have been tested in saline solutions, highly chlorinated solutions and have been tested against exposure to highly acidic foods. The test results proved the type 304 stainless steel can withstand exposure over prolonged periods of time. However, the conditions outlined above, along with neglect, can lead to surface corrosion or rust.

## **ATTENTION:**

- Do not allow food particles or grease to be left on the surfaces of the Power Burner. These can attract rodents, which are unsanitary and are likely to cause physical damage by chewing on the wiring, which can cause permanent damage to the electrical components.
- Specks of grease can gather on the surface of the stainless steel and get baked-on. These can be removed by using a mild abrasive pad with a stainless steel cleaner. Use the mildest cleaner and always scrub in the direction of the grain. Do not use steel wool to clean any surfaces on the Power Burner.
- In the event that surface corrosion has developed on the stainless steel, it is typically not the stainless steel that is corroding but corrosive particles that have been deposited on the surface.

## **WARNING:**

It is recommended that your Delta Heat products be kept dry and covered when not in use. This is even more important when long-term storage is intended.

If you are located along the coast or in the desert, wind driven sand is extremely abrasive and can pit and scratch the stainless steel. Keep your Delta Heat products covered when not in use.

## **KEEP IN MIND:**

Delta Heat products are made of all welded stainless steel. It is non-rusting and non-magnetic. Never clean the stainless steel when it is hot. After the initial use, certain areas of the Power Burner may discolor. This is a normal discoloration caused by the stainless steel being exposed to high heat.

# CLEANING & MAINTENANCE

---

## **GRATES**

The Grates of the Power Burner are not meant to be cooked on, but over time the intense heat of the brass burner will cause the metal of the grate to discolor. Food particles and grease may accumulate on the grates, this can be cleaned off with a rag and soap and water. For stubborn baked-on food particles, a brass bristle brush may be used to scrape the grate clean.

**REMINDER:** ALWAYS LET THE POWER BURNER COOL DOWN BEFORE CLEANING.

## **BURNERS**

Burners are made of heavy gauge brass and can be cleaned using a bristle brush, warm water and soap. Check every port hole for clogs. Use a wire pin to clean out clogged ports. Make sure the burner is dry before installing it back to the Power Burner.

## **DRIP PAN**

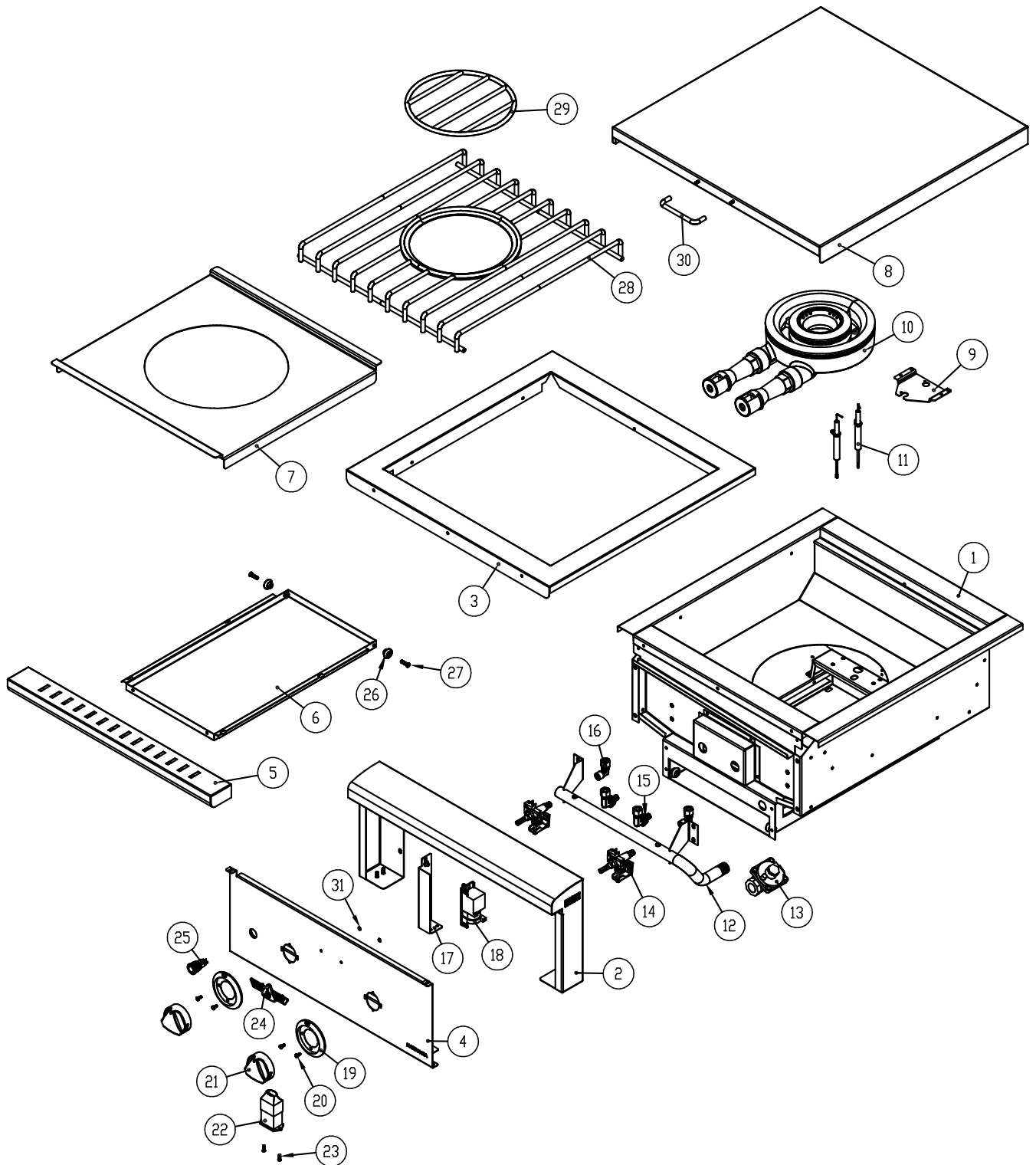
The drip pan collects grease, liquid and fallen food particles. Allow the pan and its contents to cool before cleaning. Slide the pan out and wipe it clean. Make sure the drip pan is fully inserted back into the Power Burner. It is highly recommended to clean the pan after every use to avoid any possibility of a grease fire. **DO NOT** use the Power Burner without the drip pan pushed all the way to the back of the Power Burner unit.

## **SPIDER AND INSECT WARNING**

Spiders and other insects can nest in the burners and orifices of this and any other outdoor products, which causes the gas to flow from the front of the burner. This can create a dangerous condition that can cause a fire behind the valve panel, damaging the Power Burner and making it unsafe to operate. Inspect the burners once a year, or if the Power Burner has not been used for more than a month or if any of the following conditions occur:

1. The smell of gas in conjunction with the burner flames appearing yellow.
2. The burner does not reach temperature.
3. The burner heats unevenly.
4. The burner makes popping noise.

# EXPLODED VIEW



# REPLACEMENT PARTS LIST

ITEM NO.	DH PART NO.	DESCRIPTION	QTY
1	S23360Y	22" POWER BURNER FIREBOX ASSEMBLY	1
2	S 2 3 3 3 6 - 22WY	22" LANDING LEDGE WELDED ASSEMBLY	1
3	S23366	TRIM, TOP, 22	1
4	S23338-22	PANEL, FONT, 22	1
5	S23203-22	HANDLE, DRIP PAN, 22	1
6	S22316	TRAY, DRIP	1
7	S23367	HEAT DIVERTER	1
8	S23370	COVER, POWER BURNER, 22	1
9	S23368	BRACKET, IGNITER	1
10	S13362Y	BURNER, BRASS, CAST, POWER	1
11	S16268	IR IGNITER	2
12	S12768	MANIFOLD PIPE, 22	1
13	S15303	REGULATOR	1
14	S15132	GAS VALVE ASSEMBLY	2
15	S12603	COUPLING, BRASS .3125 CC X .125 FIP	2
16	S12601	ELBOW, .375 CC X .125 FIP	2
17	S23216Y	IGNITION BRACKET ASSEMBLY	1
18	S16323	IGNITION MODULE	1
19	S13199	BEZEL	2
20	S14156	SCREW, 6-32 X .375	4
21	S13195	DELTA KNOB	2
22	S16272	BATTERY PACK	1
23	S14102	6-32 X .500 SCREW	2
24	S13201	DELTA HEAT EMBLEM	1
25	S16196	12V SWITCH	1
26	S14420	ROLLER BEARING	4
27	S14175	10-24 X .750 FLAT HEAD SCREW	4
28	S13891WY	ROUND GRATE	1
29	S13892	ROUND GRATE MIDDLE	1
30	S13117	COVER HANDLE	1
31	S14232	RETAINING RING	2

ITEM NO.	DH PART NO.	DESCRIPTION	QTY
<b>PARTS NOT SHOWN</b>			
32	S15110-43	ORIFICE, #43, 1/8 NPT	1
33	S15110-33	ORIFICE, #33, 1/8 NPT	1
34	S15110-54	ORIFICE, #54, 1/8 NPT	1
35	S15110-50	ORIFICE, #50, 1/8 NPT	1
36	S16355	BLUE LED	2
37	S16483	LIGHT WIRE HARNESS	1
38	S16484	MODULE WIRE HARNESS	1
39	S16462	POWER WIRE HARNESS	1
40	S16463	SWITCH TO LIGHT WIRE HARNESS	1

# TROUBLESHOOTING GUIDE

## BEFORE CALLING FOR SERVICE:

If your Delta Heat Power Burner does not function properly, use the following troubleshooting guide before contacting your dealer for service. The troubleshooting guide may save the cost of a service call and the inconvenience of being without your Power Burner.

PROBLEM	WHAT TO DO
Power Burner will not light.	<ol style="list-style-type: none"> <li>1. Push in the knob and verify that the spark igniter functions.</li> <li>2. If the igniter does not spark, replace 9V battery.               <ol style="list-style-type: none"> <li>a. Purge the line of any trapped air.</li> <li>b. Check if you can match-light the burner.</li> </ol> </li> </ol> <p><b>NOTE:</b> It is normal to hear a popping sound when the Power Burner burn-ers are first turned ON.</p>
Burner flame is yellow and gas odor can be smelled.	<ol style="list-style-type: none"> <li>1. Check the burner inlet for obstruction...ex. Spiders, insects, etc.</li> <li>2. Check the air shutter for proper adjustment.</li> <li>3. Check any source of gas leak.</li> </ol>
Low heat generated with knob in HI position.	<ol style="list-style-type: none"> <li>1. Check if the problem is isolated to only one burner. If it appears so, clean the orifice and burner, clearing ports of any obstruction.</li> <li>2. Check for any bent or kinked fuel hose.</li> <li>3. Check if the air shutter is properly adjusted.</li> <li>4. Check for proper gas supply and pressure.</li> <li>5. Pre-heat Power Burner for 15 minutes.</li> <li>6. If using LP gas, check for empty tank.</li> </ol>
Too much heat.	<ol style="list-style-type: none"> <li>1. Check for damaged orifice or no orifice.</li> <li>2. Check for unauthorized regulator adjustment.</li> </ol>
Burner blows out.	<ol style="list-style-type: none"> <li>1. Check for any burner defect.</li> <li>2. Check for proper burner installation.</li> <li>3. Check if fuel mixture is too lean.</li> <li>4. Check if gas supply is sufficient.</li> <li>5. Check if LP tank is empty.</li> <li>6. Check if the Power Burner location is subject to high winds.</li> </ol>
Spark igniter will not spark	<ol style="list-style-type: none"> <li>1. Check if the battery needs to be replaced</li> </ol>
Front panel lights will not turn ON	<ol style="list-style-type: none"> <li>1. Check if the unit is plugged into proper voltage (GFCI 120V)</li> </ol>



# WARRANTY

---

**LIMITED TWO YEAR WARRANTY:** Delta Heat warrants the Power Burner to be free from defects in materials and workmanship under normal residential use for a period of two years from the original date of purchase. The actual part will be repaired or replaced, free of charge, with the owner paying for all other costs including labor, shipping and handling.

**ONE-YEAR FULL WARRANTY:** Delta Heat warrants the Power Burner and all other components to be free from defects in materials and workmanship under normal residential use for a period of one year from the original date of purchase. Delta Heat will repair or replace parts found to be defective at no cost to the original purchaser. Warranty service must be performed by a Delta Heat authorized representative during normal business hours.

**NINETY (90) DAY RESIDENTIAL PLUS WARRANTY:** This warranty applies to applications where use of the product extends beyond normal residential use such as bed and breakfast inn and private clubs. The actual part will be repaired or replaced, free of charge, with the owner paying for all other costs including labor, shipping and handling. This warranty excludes all commercial locations such as restaurants and food service locations.

## WARRANTY LIMITATIONS & EXCLUSIONS

This warranty shall apply only to the products purchased and located in the continental United States and Canada. The warranty coverage begins on the original date of purchase and proof of date of purchase is required. To activate the warranty, we require that you send in the attached warranty registration card. This warranty applies only to the original owner and may not be transferred.

This warranty excludes discoloration, surface scratches, weather and atmospheric related staining, and minor surface rust and oxidation which are normal conditions and are to be expected with any outdoor product. This warranty does not apply to damages resulting from negligence, alteration, misuse, abuse, accident, natural disaster, loss of electrical power to the product for any reason, improper installation or improper operation, unauthorized adjustments or calibrations, dings, dents, scratches, or damages due to harsh cleaning chemicals. This warranty does not apply to commercial use, or to products with altered or removed serial numbers. Display models are generally sold "as is" and are subject to the following warranty exclusions: missing components, scratches, dents and other exterior or cosmetic damages, electrical, gas and ignition system. Delta Heat shall not be liable for incidental, consequential, special or contingent damages resulting from its breach of this written warranty or any implied warranty.

**WARRANTY SERVICE & REPLACEMENT PARTS:** Call your authorized selling dealer or call Delta Heat directly at (562) 263-3600. Be prepared to furnish the following information: Purchaser's name, model and serial number of the Power Burner, date of purchase and the accurate description of the problem. Delta Heat will not pay for service calls for correcting an installation problem. Owner shall be responsible for proper installation, providing normal care and maintenance, providing proof of purchase upon request and making the side burner accessible for service. In the event of any warranty replacement, all removal, replacement, installation and shipping costs are the responsibility of the owner.

Some states do not allow limitations on how long an implied warranty lasts, or the exclusions of or limitations on consequential damages. This warranty gives you specific legal rights and you may have other rights, which vary from state to state.



# HOW TO OBTAIN SERVICE

---

For service, please contact your DELTA HEAT dealer or call DELTA HEAT direct at (562) 263-3600 or (800) 422-0091 or fax (562) 802-3391

Mailing address:  
DELTA HEAT, Inc.  
13259 166th Street  
Cerritos, CA 90703

Visit us at [www.deltaheat.com](http://www.deltaheat.com)

Please provide:

- Model number
- Serial Number
- Date of purchase
- A description of the problem

---

CUT HERE

---



CUSTOMER NAME:	MODEL #:
ADDRESS:	SERIAL #:
CITY, STATE:	DATE PURCHASED:
ZIP:	DEALER'S NAME:
PHONE #:	DEALER'S ADDRESS:
E-MAIL:	

This Warranty Registration card must be returned within thirty days of purchased to properly activate your warranty. This information is for our internal use only.

Or you may register online at <http://www.deltaheat.com>

CUT HERE

---



PLACE  
POSTAGE  
HERE

Customer Service  
ATTN: Warranty Department  
13259 166th Street  
Cerritos, CA 90703  
Service Direct Line: (562) 263-3600  
Fax: (562) 801-3391