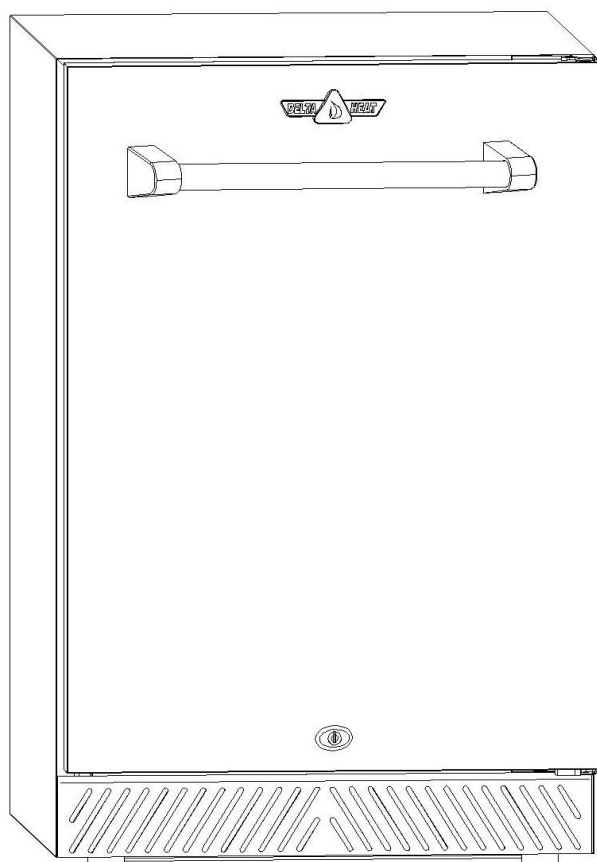




# DELTA HEAT REFRIGERATOR

## INSTALLATION, OPERATION & MAINTENANCE MANUAL



MODEL NO. DHOR20

**BEFORE USE, PLEASE READ AND FOLLOW ALL SAFETY RULES AND OPERATING INSTRUCTIONS.**

P/N: 18667C 05/20

## REFRIGERATOR SAFETY

**Your safety and the safety of others are very important.**

We have provided many important safety messages in this manual for your appliance. Always read and obey all safety messages.



This is the Safety Alert Symbol. This symbol alerts you to potential hazards that can kill or injure you and others. All safety messages will follow the Safety Alert Symbol and either the words "DANGER", "WARNING" or "CAUTION".



Danger means that failure to heed this safety statement may result in severe personal injury or death.



Warning means that failure to heed this safety statement may result in extensive product damage, serious personal injury, or death.



Caution means that failure to heed this safety statement may result in minor or moderate personal injury, property or equipment damage.

All safety messages will alert you to know what potential hazard there is, tell you how to reduce the chance of injury, and let you know what can happen if the instructions are not followed.

### **WARNING: CALIFORNIA PROPOSITION 65**

This product can expose you to chemicals including carbon monoxide which is known to the State of California to cause cancer and reproductive harm. To minimize exposure to the by-products of the burning fuel or from combustion, always operate this unit according to the use and care manual and provide good ventilation. California law requires businesses to warn customers of potential exposure to such substances. For more information go to [www.P65Warnings.ca.gov](http://www.P65Warnings.ca.gov).

### **AVERTISSEMENT: PROPOSITION 65 DE L'ETAT DE LA CALIFORNIE**

Cet appareil peut vous exposer aux produits chimiques et au gaz monoxyde de carbone reconnue dans l'Etat de la Californie pour causer le cancer et des problemes de fertilit e. Pour minimiser l'exposition de ces-sous produits combustibles ou de la combustion, utiliser toujours cet appareil en conformitee au manuel d'utilisation et d'entretien en s'assurant egalement d'une bonne ventilation. La loi de la Californie exige aux fabricants d'informer leurs clients aux risques d'exposition potentielle a de telles substances. Pour plus d'information, visiter le site [www.P65Warnings.ca.gov](http://www.P65Warnings.ca.gov)

## IMPORTANT SAFEGUIDES



Before the refrigerator is used, it must be properly positioned and installed as described in this manual. Read the manual carefully. To reduce the risk of fire, electrical shock or injury when using the refrigerator, follow basic precaution, including the following:

### **DANGER**

- Plug into a grounded 3-prong outlet, do not remove grounding prong, do not use an adapter, and do not use an extension cord.
- It is recommended that a separate circuit, serving only your refrigerator be provided. Use receptacles that cannot be turned off by a switch or pull chain.
- Never clean refrigerator parts with flammable fluids. These fumes can create a fire hazard or explosion. And do not store or use gasoline or other flammable vapors and liquids in the vicinity of this or any other appliance. The fumes can create a fire hazard or explosion.
- Before proceeding with cleaning and maintenance operations, make sure the power line of the unit is disconnected.
- Do not connect or disconnect the electric plug when your hands are wet.
- Unplug the refrigerator or disconnect power before cleaning or servicing. Failure to do so can result in electrical shock or death.
- Do not attempt to repair or replace any part of your refrigerator unless it is specifically recommended in this manual. All other servicing should be referred to a qualified technician.

### **WARNING**

- Use two or more people to move and install refrigerator. Failure to do so can result in back or other injury.
- To ensure proper ventilation for your refrigerator, the front of the unit must be completely unobstructed. Choose a well-ventilated area with temperatures above 60°F (16°C) and below 90°F (32°C). This unit should be installed in an area protected from the direct elements, such as wind, rain, direct sunlight, snow, and moist areas.
- The refrigerator should not be located directly next to ovens, grills or other sources of high heat.
- The refrigerator must be installed with all electrical, water and drain connections in accordance with state and local codes. A standard electrical supply (115 VAC, 60 Hz only), properly grounded in accordance with the National Electrical Code and local codes and ordinances is required.
- Do not kink or pinch the power supply cord of refrigerator.
- The fuse (or circuit breaker) size should be 15 amps.
- It is important for the refrigerator to be leveled in order to work properly. You may need to make several adjustments to level it.
- All installation must be in accordance with local plumbing code requirements.
- Make certain that the pipes are not pinched or kinked or damaged during installation.
- Check for leaks after connection.
- Never allow children to operate, play with or crawl inside the refrigerator.
- Do not use solvent-based cleaning agents or abrasives on the interior. These cleaners may damage or discolor the interior.
- Do not use this apparatus for other than its intended purpose.

## TABLE OF CONTENTS

IMPORTANT SAFETY INSTRUCTIONS	1
INSTALLATION INSTRUCTIONS	1
BEFORE USING YOUR UNIT	1
INSTALLING YOUR UNIT	1
ELECTRICAL CONNECTION	3
EXTENSION CORD	3
REVERSING THE DOOR SWING OF YOUR UNIT	3
OPERATING YOUR UNIT	4
SETTING THE TEMPERATURE CONTROL	4
CARE AND MAINTENANCE	5
CLEANING YOUR UNIT	5
POWER FAILURE	5
VACATION TIME	5
MOVING YOUR UNIT	5
ENERGY SAVING TIPS	5
HOW TO WINTERIZE AN OUTDOOR REFRIGERATOR	6
TROUBLESHOOTING GUIDE	7
WIRING DIAGRAM	8
SERVICE DOOR PARTS DIAGRAM	9
SERVICE DOOR PARTS LIST	10
SERVICE CABINET PARTS DIAGRAM	11
SERVICE CABINET PARTS LIST	12
WARRANTY PAGE	13

## IMPORTANT SAFETY INSTRUCTIONS

### **⚡WARNING⚡**

To reduce the risk of fire, electrical shock, or injury when using your appliance, follow these basic precautions:

- Read all instructions before using the refrigerator.
- **DANGER or WARNING:** Risk of child entrapment. Child entrapment and suffocation are not problems of the past. Junked or abandoned refrigerators are still dangerous, **“even if they just sit in the garage for a few days.”**
- **Before you throw away your old refrigerator:** Take off the doors. Leave the shelves in place so that children may not easily climb inside.
- Never allow children to operate, play with, or crawl inside the refrigerator.
- Never clean refrigerator parts with flammable fluids. The fumes can create a fire hazard or explosion.
- Do not store or use gasoline or any other flammable vapors and liquids in the vicinity of this or any other refrigerator. The fumes can create a fire hazard or explosion.

-Save these instructions-

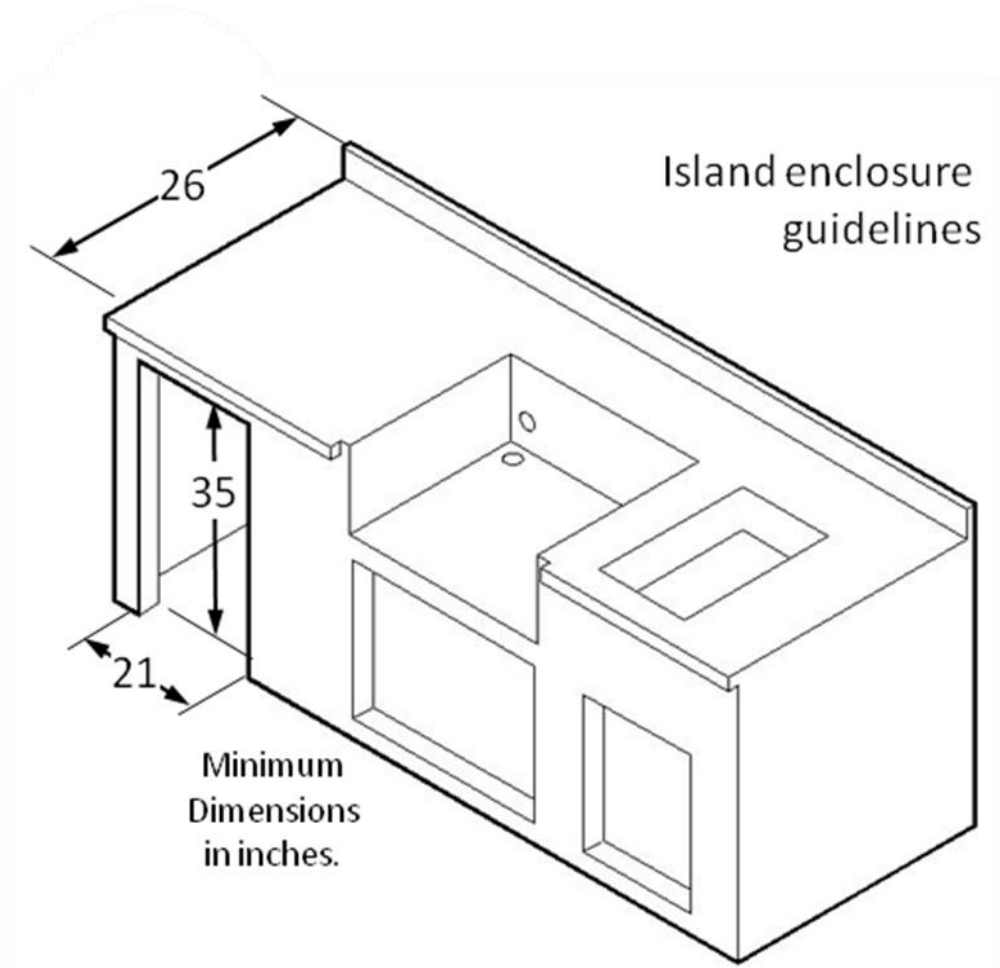
## INSTALLATION INSTRUCTIONS

### ➤ **Before Using Your Unit**

- Remove the exterior and interior packing.
- Check to be sure you have all the following parts:
  - 2 Shelves
  - 1 Glass Lid
  - 1 Crisper
  - 1 Instruction Manual
- Before connecting the unit to the power source, let it stand upright for approximately 2 hours. This will reduce the possibility of a malfunction in the cooling system from handling during transportation.
- Clean the interior surface with lukewarm water using a soft cloth.

### ➤ **Installing Your Unit**

- Follow the recommendations in this manual if the product is to be recessed or built in.
- Place your unit on a floor that is strong enough to support the unit when it is fully loaded. To level your unit, adjust the leveling legs at the bottom of the unit.
- Locate the unit away from direct sunlight and sources of heat (stove, heater, radiator, etc.). Direct sunlight may affect the acrylic coating and heat sources may increase electrical consumption. Extreme cold ambient temperatures may also cause the unit not to perform properly.
- Avoid locating the unit in moist areas.
- Plug the unit into an exclusive, properly installed-grounded wall outlet. Do not under any circumstances cut or remove the third (ground) prong from the power cord. Any questions concerning power and/or grounding should be directed toward a certified electrician or an authorized Products service center.
- After plugging the appliance into a wall outlet, allow the unit to cool down for 2-3 hours before placing food in the refrigerator compartment.



## **Electrical Connection**

### **⚡ Warning ⚡**

Improper use of the grounded plug can result in the risk of electrical shock. If the power cord is damaged, have it replaced by an authorized service center.

This unit should be properly grounded for your safety. The power cord of this unit is equipped with a three-prong plug which mates with standard three prong wall outlets to minimize the possibility of electrical shock.

Do not under any circumstances cut or remove the third ground prong from the power cord supplied. For personal safety, this appliance must be properly grounded.

This unit requires a standard 115 VAC, 60 Hz electrical outlet with three-prong ground. Have the wall outlet and circuit checked by a qualified electrician to make sure the outlet is properly grounded. When a standard 2-prong wall outlet is encountered, it is your responsibility and obligation to have it replaced with a properly grounded 3-prong wall outlet.

The cord should be secured behind the unit and not left exposed or dangling to prevent accidental injury.

The unit should always be plugged into its own individual electrical outlet which has a voltage rating that matches the rating label on the appliance. This provides the best performance and prevents overloading house wiring circuits that could cause a fire hazard from overheating. Never unplug the unit by pulling the power cord. Always grip the plug firmly and pull straight out from the receptacle. Repair or replace immediately all power cords that have become frayed or otherwise damaged. Do not use a cord that shows cracks or abrasion damage along its length or at either end. When moving the unit, be careful not to damage the power cord.

### ➤ **Extension Cord**

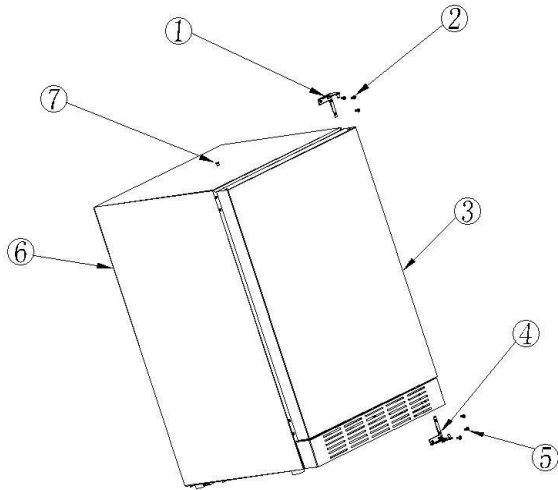
Because of potential safety hazards under certain conditions, it is strongly recommended that you do not use an extension cord with this unit. However, if you must use an extension cord it is absolutely necessary that it be a 3-wire grounding type appliance extension cord having a grounding type plug and outlet and that the electrical rating of the cord be 220 volts, at least 15 amperes, and rated for outdoor use.

### ➤ **Reversing the Door Swing of Your Appliance**

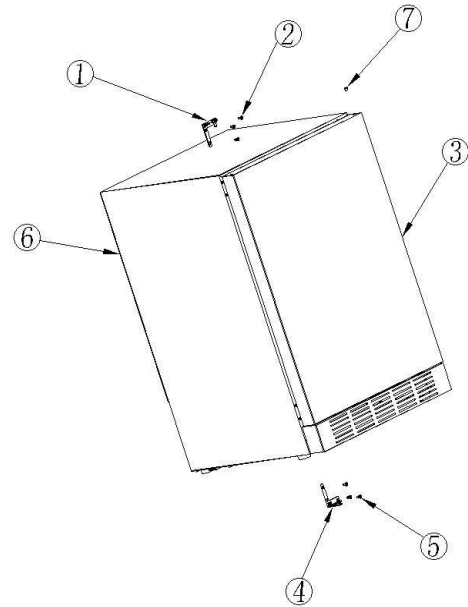
This refrigerator can be opened either from the left or right side. The default way of opening the door is from the right side. If you want to open the door from the left side, please follow the instructions below. Refer to figures 1 and 2 on the following page.

NOTE: All the removed parts must be well kept for the reinstallation of the door

- Remove the three screws (5) that hold the lower door hinge (4), keep the hinge for later use.
- Remove the door from the upper pin and keep the padded surface upwards to prevent scratching.
- Remove the upper hinge cover (1), remove the two screws (2), hold the upper hinge(1), save the hinge for later use.
- Remove the hole cover (7) and transfer it to the same location on the opposite side.



**FIGURE 1** (Normal Position)



**FIGURE 2** (Position after door reversal)

- 1 Top Hinge
- 2 Screw (3)
- 3 Door
- 4 Bottom Hinge
- 5 Screw (3)
- 6 Frame
- 7 Hole Cover

- Insert the lower door hinge in the right side, fix the lower right hinge by tightening all the screws.
- Remove the pin cap (9) from the right side of the upper frame of the door, and then transfer it to the same location on the opposite side.
- Put the door on the Lower Door Hinge (5), keep the door level, and then fix the upper hinge (3) to the body (4) by using screws.
- Put on the upper hinge cover (1).

## OPERATING YOUR UNIT

### ➤ Setting the Temperature Control

- Your unit has only one control for regulating the temperature in the compartment. The temperature control is located on the upper right-hand side of the compartment.
- The first time you turn the unit on, set the temperature control to “6”.
- The range of the temperature control is from position “0” to “7”. After 24 to 48 hours, adjust the temperature control to the setting that best suits your needs. The setting “3” should be appropriate for home or office use.
- To turn the appliance off, turn the temperature control to “0”.

### NOTE:

- Turning the temperature control to “0” position stops the cooling cycle but does not shut off the power to the unit.
- If the unit is unplugged, has lost power, or is turned off, you must wait 3 to 5 minutes before restarting the unit. If you attempt to restart before this time delay, the unit will not start.



## CARE AND MAINTENANCE

### **CAUTION:**

Do not use boiling water because it may damage the plastic parts. In addition, never use a sharp or metallic instrument to remove frost as it may damage the cooling system and will void the warranty. We recommend using a plastic scraper.

#### ➤ **Cleaning Your Unit**

- Turn the temperature control to "0", unplug the unit, and remove the food, shelf, and tray.
- Wash the inside surfaces with a warm water and baking soda solution. The solution should be about 2 tablespoons of baking soda to a quart of water.
- Wash the shelf and tray with a mild detergent solution.
- The outside of the unit should be cleaned with mild detergent and warm water.
- Wring excess water out of the sponge or cloth before cleaning the area of the controls, or any electrical parts.
- Wash the outside cabinet with warm water and mild liquid detergent. Rinse well and wipe dry with a clean soft cloth.

### **CAUTION:**

Failure to unplug the unit could result in electrical shock or personal injury.

#### ➤ **Power Failure**

- Most power failures are corrected within a few hours and should not affect the temperature of your unit, if you minimize the number of times the door is opened. If the power is going to be off for a long period of time, you need to take the proper steps to protect your food.

#### ➤ **Vacation Time**

- **Short vacations:** Leave the unit operating during vacations of less than three weeks.
- **Long vacations:** If the appliance will not be used for several months, remove all food and unplug the power cord. Clean and dry the interior thoroughly. To prevent odor and mold growth, leave the door open slightly and block it open if necessary.

#### ➤ **Moving Your Unit**

- Remove all the food.
- Securely tape down all loose items inside your unit.
- Turn the leveling legs up to the base to avoid damage.
- Tape the door shut.
- Be sure the unit stays secure in the upright position during transportation. Also protect the outside of the unit with a blanket, or similar item.

#### ➤ **Energy Saving Tips**

- The unit should be in the coolest area of the room, away from heat producing appliances, and out of the direct sunlight.
- Let hot foods cool to room temperature before placing in the unit. Overloading the unit forces the compressor to run longer.
- Be sure to wrap foods properly, and wipe containers dry before placing them in the unit. This cuts down on frost build-up inside the unit.
- Unit storage bin should not be lined with aluminum foil, wax paper, or paper toweling. Liners interfere with cold air circulation, making the unit less efficient.
- Organize and label food to reduce door openings and extended searches. Remove as many items as needed at one time and close the door as soon as possible.

➤ **How to Winterize an Outdoor Refrigerator**

- Turn unit off.
- Remove all contents.
- If necessary, move the unit so you can gain access to the back
- Unplug the unit from the power outlet.
- We recommend you turn off the power to the outlet if the circuit is not required during the winter season.
- When cleaning unit pay attention to particular cracks or crevices that may have accumulated dirt and debris.
- Remove the front toe-grille and re-install on the unit.
- You are also able to remove the rear access cover and use a brush and vacuum to clean dirt and debris from the machine compartment.
- Thoroughly clean the rear access cover and re-install on the unit.
- Wipe down all interior surfaces with antibacterial cleaner and follow with a clean rinse of water to remove any residual chemicals that could result in staining.
- Leave the door open and allow the interior to completely dry, **before closing the door, if leaving the unit outside.**
- **If the unit is being brought indoors**, you are free to unhinge the door and leave off, this will help prevent any odors.
- Thoroughly clean the door gasket with antibacterial cleaner and rinse with clean water to remove any residual chemicals.
- Thoroughly clean the exterior with a stainless-steel cleaner. Do not use any abrasive cleaners or scouring pads.
- Any mounting hardware or fasteners that are showing signs of corrosion should be cleaned or replaced.
- Once the exterior has been thoroughly cleaned, you may want to apply a coating wax to help protect against spotting from moisture, dirt, and debris that may accumulate on the surfaces during the Winterization period.

## PROBLEMS WITH YOUR REFRIGERATOR?

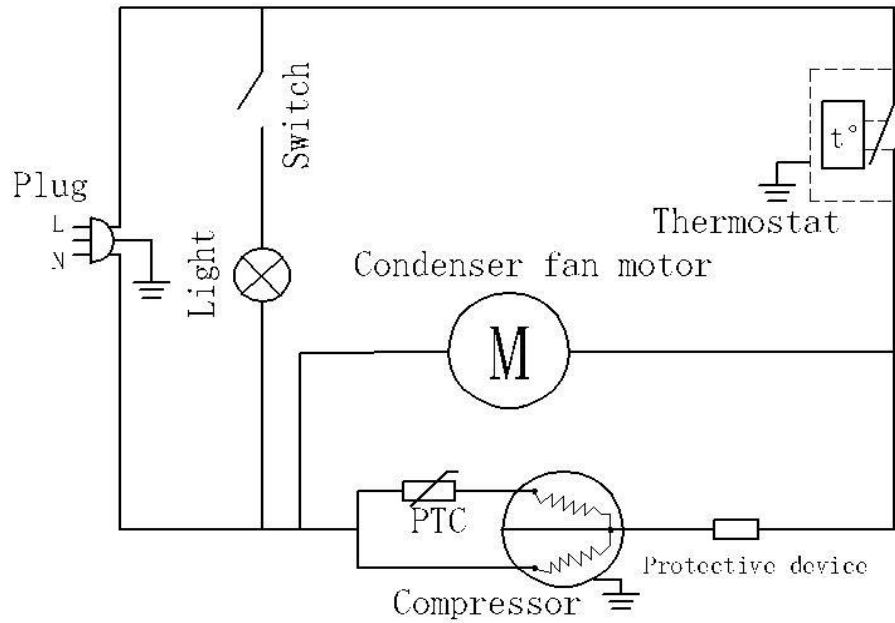
You can solve many common unit problems easily, saving you the cost of a possible service call. Try the suggestions below to see if you can solve the problem before calling the servicer.

### TROUBLESHOOTING GUIDE

PROBLEM	POSSIBLE CAUSE
Unit does not operate.	Not plugged in. The circuit breaker tripped or a blown fuse. The unit temperature control is set at "0" position.
Turns on and off frequently.	The room temperature is hotter than normal. A large amount of food has been added to the unit. The door is opened too often. The door is not closed completely. The temperature control is not set correctly. The door gasket does not seal properly. The unit does not have the correct clearances.
Vibrations.	Check to assure that the unit is level.
The unit seems to make too much noise.	The rattling noise may come from the flow of the refrigerant, which is normal. As each cycle ends, you may hear gurgling sounds caused by the flow of refrigerant in your unit. Contraction and expansion of the inside walls may cause popping and crackling noises. The unit is not level.
The door will not close properly.	The unit is not level. The door was reversed and not properly installed. The gasket is dirty or bent. The shelves, bins, or baskets are out of position.
Unit isn't cooling like it used to. Perform 24hr reset.	Unplug unit and leave unplugged for 24 hours. After 24 hours, set the thermostat dial to 3 and plug in the unit. Let run for 6 - 8 hours before setting the dial to a colder setting.
Fan noise coming from your refrigerator.	The normal operation of your refrigerator will cause some sound which is considered normal.

## WIRING DIAGRAM

### Electrical Diagram

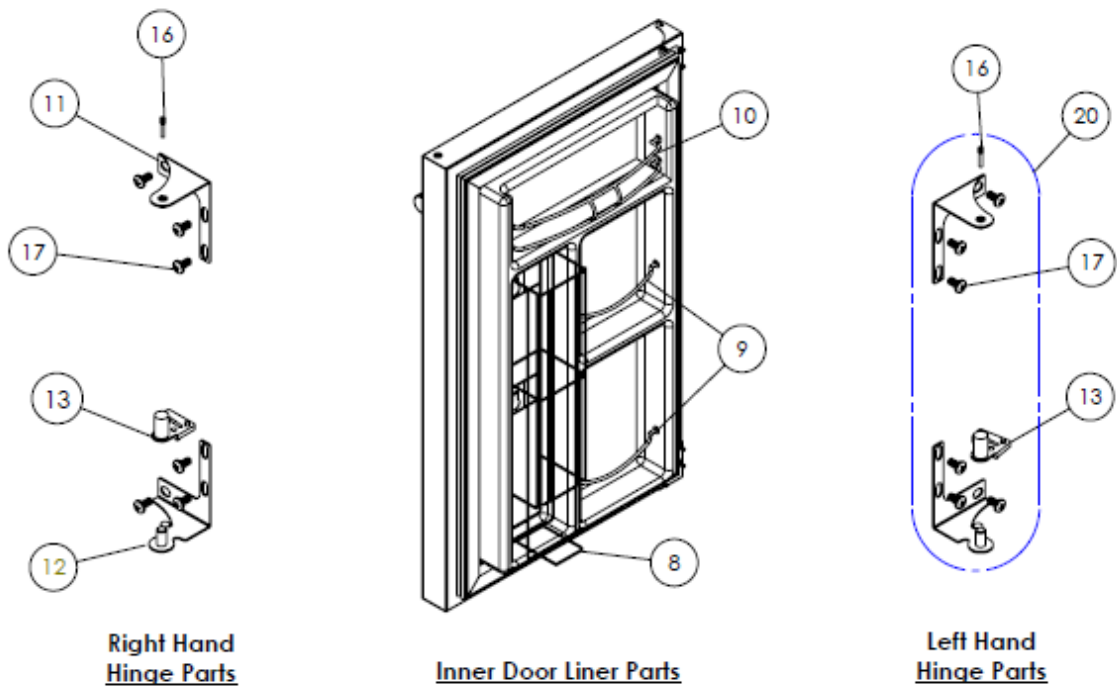
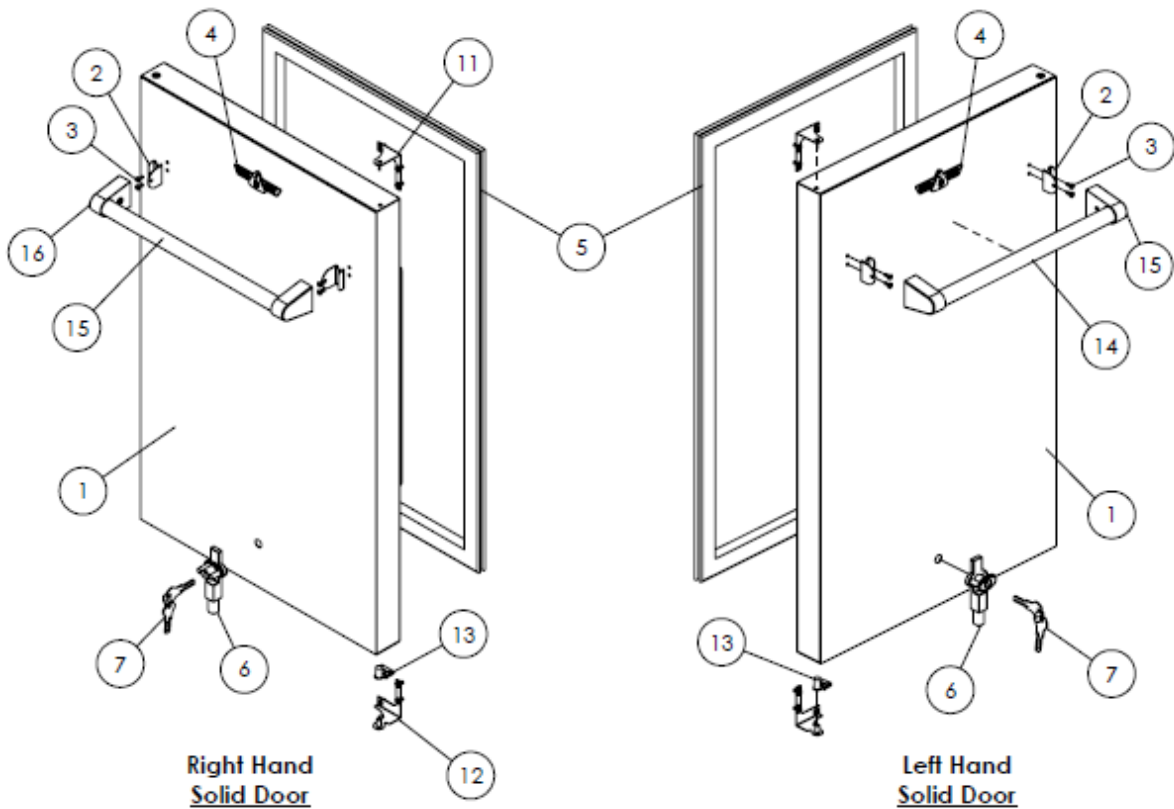


#### Serial Plate Location:

The serial plate is located inside the cabinet on the left side of cabinet liner toward the top.

# SERVICE DOOR PARTS DIAGRAM

---



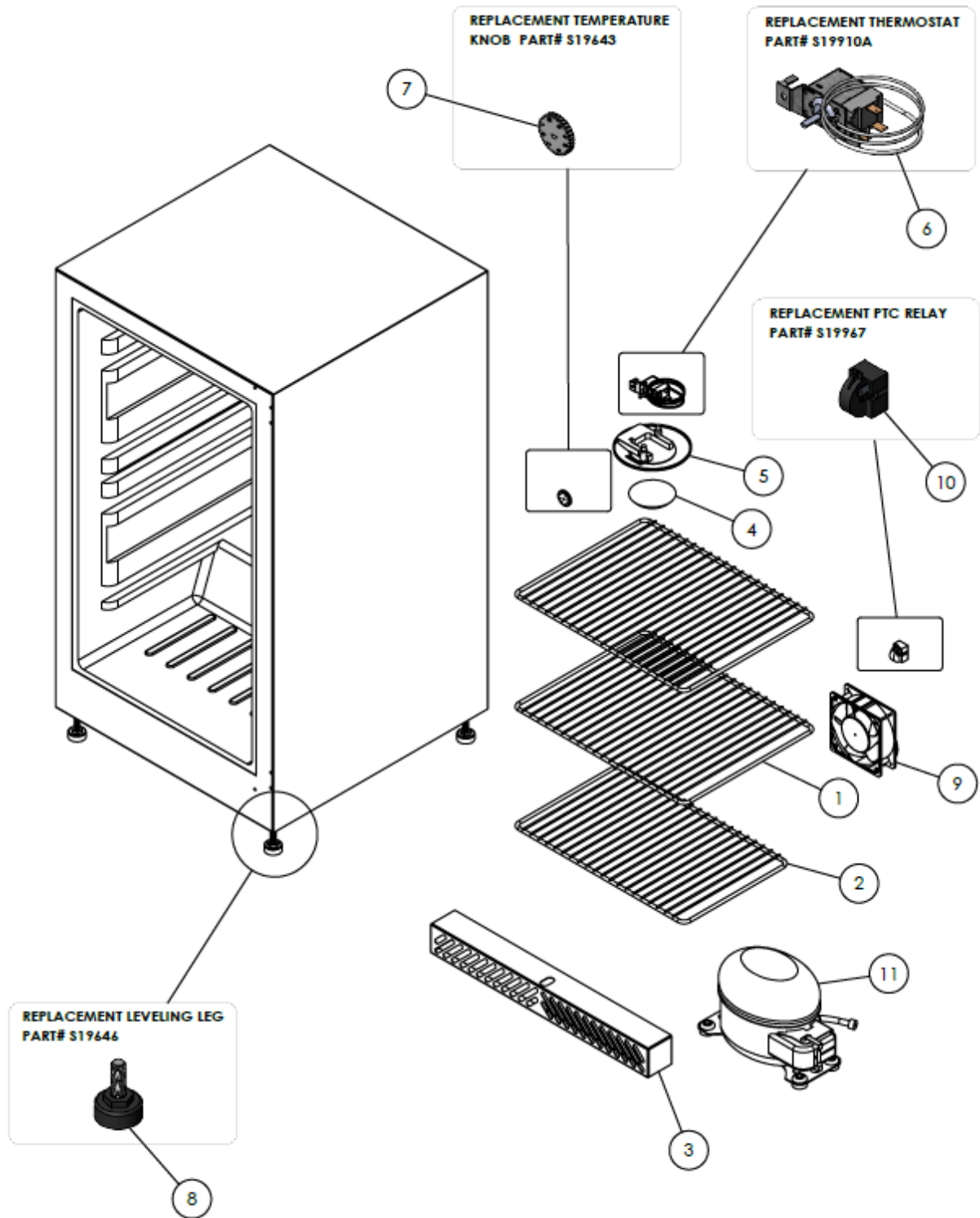
## SERVICE DOOR PARTS LIST

---

Item No.	Part Description	Quantity	Service Assembly Number
1	Door Panel	1	S19649
2	Bracket, End Cap	2	S23288
3	Screw, M4 x 10, PH Pan SS	4	S14352
4	Logo, Delta Heat, Black	1	S19984
5	Door Gasket, Gray	1	S19675
6	Lock Mechanism	1	S19908
7	Keys	1	S19907
8	Can Dispenser	1	S19651
9	Door Bar	2	S19650
10	Condiment Bar	1	S19652
11	Top Hinge, Right Side	1	S19653
12	Bottom Hinge, Right Side	1	S19648
13	Hinge Slider, White Plastic	1	S19966*
14	Door Handle	1	S19681
15	Bracket, Handle	2	S19682
16	Set Screw	1	*
17	Screw, 10-32 X .375, Pan, PH, SS	6	*
18	Top Hinge, Left Side	1	*
19	Bottom Hinge, Left Side	1	*
20	Left Hinge Kit, DHOR20	1	S19965

**\* Are a complete set of left hinges with hinge adapters and mounting hardware.**

# SERVICE CABINET PARTS DIAGRAM



## SERVICE CABINET PARTS LIST

---

Item No.	DESCRIPTION	Quantity	PART NUMBER
1	Upper Shelves	2	S19644
2	Lower Shelf	1	S19645
3	Venting Grid	1	S19647
4	Light Lens Cover, Round	1	S19642
5	Led Light Base	1	S19980
6	Thermostat	1	S19910
7	Temperature Control Knob	1	S19643
8	Leveling Leg	4	S19646
9	Fan Kit	1	S19947
10	PTC Relay	1	S19967
11	Compressor	1	S19678



## LIMITED WARRANTY

Delta Heat warrants to the original purchaser at the original site of delivery with proof of purchase of each Refrigerator that when subject to normal residential use, it is free from defects in workmanship and material for the periods specified below. This warranty excludes refrigerators used in rental or commercial applications. It does not cover labor or labor related charges. There will be shipping and handling charge for the delivery of the warranty part(s).

### Limited 2 Year Warranty

Delta Heat warrants the outdoor refrigerator and all other components to be free from defects in materials and workmanship under normal residential use for a period of two years from the original date of purchase. The original part will be repaired and/or replaced, free of charge, during the first 12 months from date of purchase. During the second 12-month period Delta Heat will repair or replace the part with the owner paying all labor, shipping and handling charges.

**COMPRESSOR WARRANTY:** Delta Heat warrants the original compressor to be free from defects in materials and workmanship under normal residential use for a period of two years from the original date of purchase. The original part will be repaired and/or replaced, free of charge, during the first 24 months from date of purchase.

**Warranty claim procedure:** If you require parts for your refrigerator, please contact our Warranty Service Center for factory direct assistance. Our Hours of operation are 8 AM to 5 PM PST. Our phone number is **800-422-0091** and our Fax number is 562-802-3391. Please direct all correspondences to: DELTA HEAT, INC. 13231 EAST 166TH STREET CERRITOS, CA 90703. ATTN: Warranty Service Center

Product repair as provided under this warranty is your exclusive remedy. Delta Heat shall not be liable for any incidental or consequential damages for breach of any express or implied warranty on its products. Except to the extent prohibited by applicable law, any implied warranty or merchantability or fitness for a particular purpose on this product to the duration of the above warranty. Some states do not allow the exclusion or limitation of incidental or consequential damages or allow limitations on how long an implied warranty lasts, so the above limitations or exclusions may not apply to you. This warranty gives you specific legal rights. You may have other rights, which vary from state to state.

## HOW TO OBTAIN SERVICE

For service, please contact your DELTA HEAT dealer or call DELTA HEAT direct at (800) 422-0091 or fax (562) 802-3391

Mailing address:  
DELTA HEAT, Inc.  
13231 166<sup>th</sup> Street  
Cerritos, CA 90703

Visit us at [www.deltaheat.com](http://www.deltaheat.com)

Please provide:

- Model number
- Serial Number
- Date of purchase
- A description of the problem

Cut  
Here



### Warranty Registration

Customer Name	Model #
Address	Serial #
City	Date Purchased
Zip	Dealer's Name
Phone #	Dealer's Address
e-mail:	

This Warranty Registration card must be returned within thirty days of purchased to properly activate your warranty. This information is for our internal use only.

Or you may register online at <http://www.deltaheat.com>

Cut  
Here

Place  
Postage  
Here



Customer Service  
ATTN: Warranty Department  
13231 166<sup>th</sup> Street  
Cerritos, CA 9070