



Installation Instructions
Model: LOHE
Ventilator for External Installation

IMPORTANT SAFETY INSTRUCTIONS:

Recommended for use over household gas and electric ranges and cooktops. **READ ENTIRE INSTRUCTIONS BEFORE PROCEEDING.** Installation must comply with all applicable codes. **READ AND SAVE THESE INSTRUCTIONS**

IMPORTANT: Save for local electrical inspector's use.

INSTALLER: Please leave these instructions with this unit for the owner.

OWNER: Please retain these instructions for future use.

WARNING – TO REDUCE THE RISK OF FIRE, ELECTRIC SHOCK, OR INJURY TO PERSONS, OBSERVE THE FOLLOWING:

- a) Use this unit only in the manner intended by the manufacturer. If you have questions, contact the manufacturer.
- b) Before servicing or cleaning unit, switch power off at service panel and lock the service disconnecting means to prevent power from being switched on accidentally. When the service disconnecting means cannot be locked, securely fasten a prominent warning device, such as a tag, to the service panel.

WARNING: TO REDUCE THE RISK OF FIRE, USE ONLY METAL DUCTWORK.

WARNING - TO REDUCE THE RISK OF FIRE, ELECTRIC SHOCK, OR INJURY TO PERSONS, OBSERVE THE FOLLOWING:

- a) Installation work and electrical wiring must be done by qualified person(s) in accordance with all applicable codes and standards, including fire-rated construction.
- b) Sufficient air is needed for proper combustion and exhausting of gases through the flue (chimney) of fuel burning equipment to prevent back drafting. Follow the heating equipment manufacturer's guideline and safety standards such as those published by the National Fire Protection Association (NFPA), and the American Society for Heating, Refrigeration and Air Conditioning Engineers (ASHRAE), and the local code authorities.
- c) When cutting or drilling into wall or ceiling, do not damage electrical wiring and other hidden utilities.
- d) Ducted fans must always be vented to the outdoors.

WARNING - To Reduce The Risk Of Fire Or Electric Shock, Do Not Use This Fan With Any Solid-State Speed Control Device

CAUTION: To reduce the risk of fire and to properly exhaust air, be sure to exhaust air outside. Do not exhaust air into spaces within walls or ceiling or into attics, crawl spaces or garages.

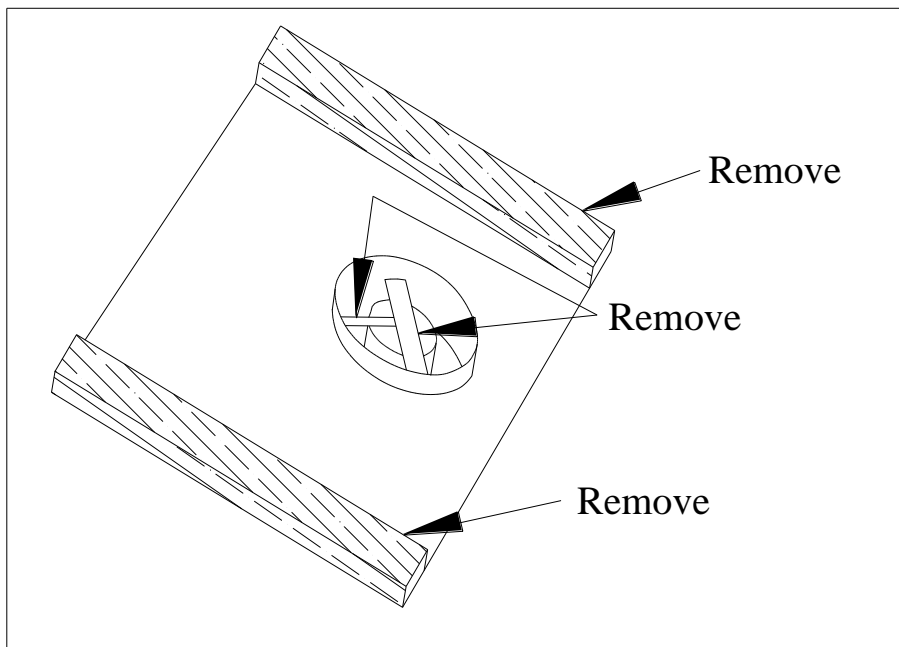
CAUTION – For General Ventilating Use Only. Do Not Use To Exhaust Hazardous Or Explosive Materials And Vapors.

NOTE: THESE INSTRUCTIONS DESCRIBE THE INSTALLATION OF THE LOHE REMOTE VENTILATOR WITH A LYNX HOOD. IF USED WITH ANOTHER MANUFACTURER'S HOOD, REFER TO THEIR SPECIFICATIONS FOR POWER REQUIREMENT COMPATABILITY.

LOHE: 1-HP 3-SPEED MOTOR, 115V AC, 60Hz /20 Amp **CIRCUIT REQUIRED**

1. Provide square hole through the roof or wall as shown by dash lines for conduit as shown in Fig-2. For reference, location of 10" duct connection and wiring connection is shown with solid lines.
2. **Remove shipping bracket per separate instruction. SEE PAGE - 2**
3. Install ventilator on roof or wall, with discharge (screened end) pointing down, according to STANDARD ROOFING PROCEDURES. **Note:** Front discharge edge should be on top of shingles and rear and side edges under shingles. Note: Unit must be sealed between roof or wall and underside of flange with roofing mastic **to prevent leaks. For installation on a flat roof, or roofs with pitch of less than 1-1/2" in 12", install ventilator on curb as shown in Fig-3. Position curb on sloping roof with 2" dimension facing down slope. Position curb on flat roofs so that discharge (screened end) points away from prevailing wind.**
4. Connect the ventilator to exhaust system with a 10" diameter metal duct only. Use 10" adjustable elbow to adjust to roof angle. Tape and screw all joints to prevent air leaks. See Fig-4.
5. Remove top cover of ventilator to access wiring connections. Retain mounting screws.
6. Run electrical conduit per local code to conduit outlet in bottom plate of ventilator (use liquid tight connection). Other end of conduit will connect to electrical box in your LYNX hood. See hood installation instructions for hood wiring location. See Fig – 6.
7. Run four (4) 16 ga wires in conduit (1-black, 1-white, 1-blue and 1-red) between the ventilator and hood. **Check for local code compliance.** The ground wire should be 16 ga wire. See Fig-6 for wiring details. **Check for local code compliance.**
8. Dimensions of ventilator are shown in Fig-5.
9. **When connecting the hood to power supply**, replace the black-#12 wire and white-#13 wire on hood with the wires supplied with the remote blower.
Power supply for the LOHE plus hood requires a 120v, 20 amp, 60 Hz circuit, connected per local codes.
10. Rotate ventilator blower wheel to be sure it turns freely and does not rub on motor brackets. Check damper door to be sure it moves freely and spring returns door to closed position.
11. Check screen guard to be sure it is in position and secure. **Check for removal of shipping bracket.**
12. Replace cover removed in Step-4 and secure with screws provided. All screws must be in place on cover.
13. See Fig-1 for typical hood installations.

ATTENTION INSTALLER



Attention Installer
Remove Shipping Bracket
And Wood Supports
Before Installing

FIG - 1
TYPICAL INSTALLATION

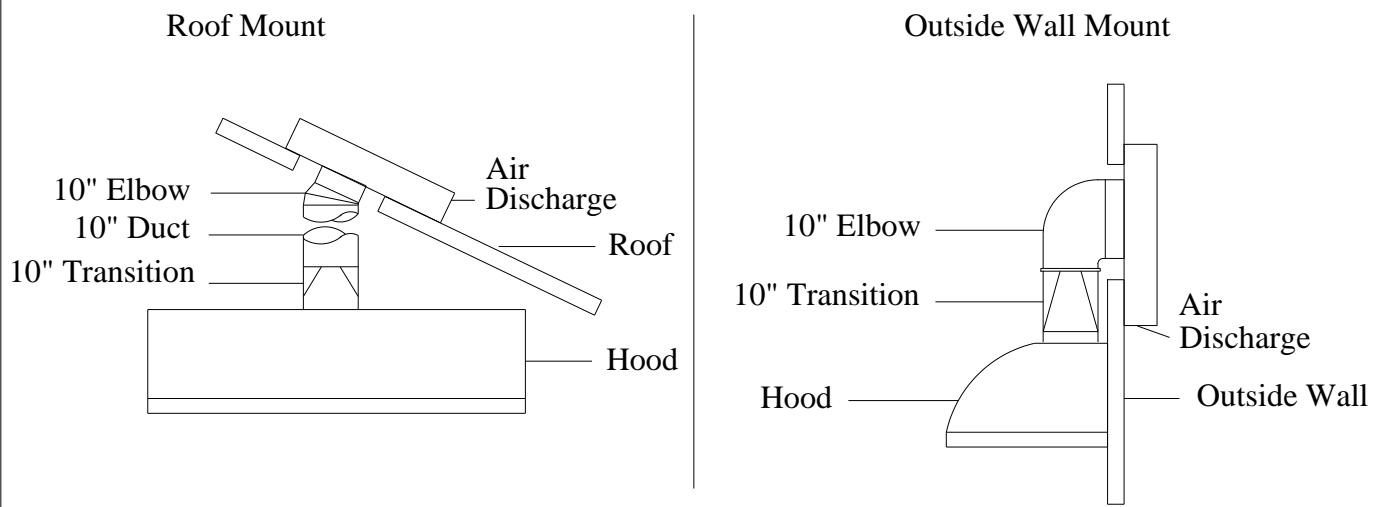


FIG - 2

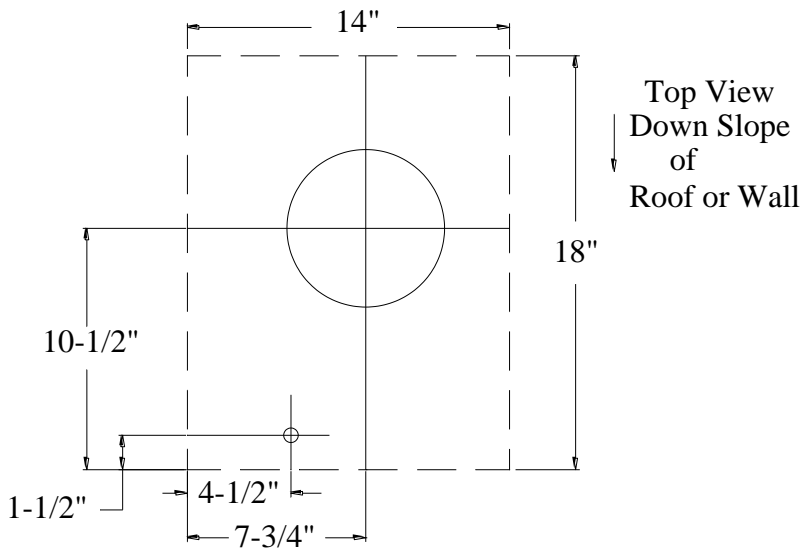


FIG - 3

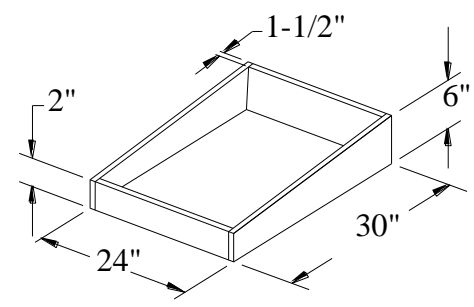


FIG - 4

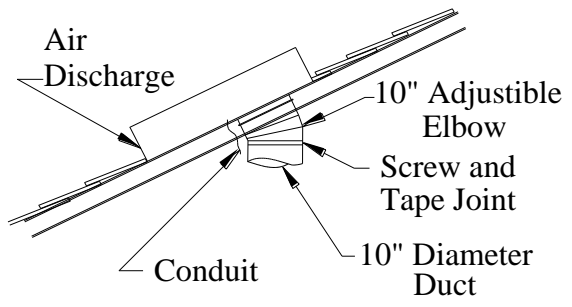


FIG - 5

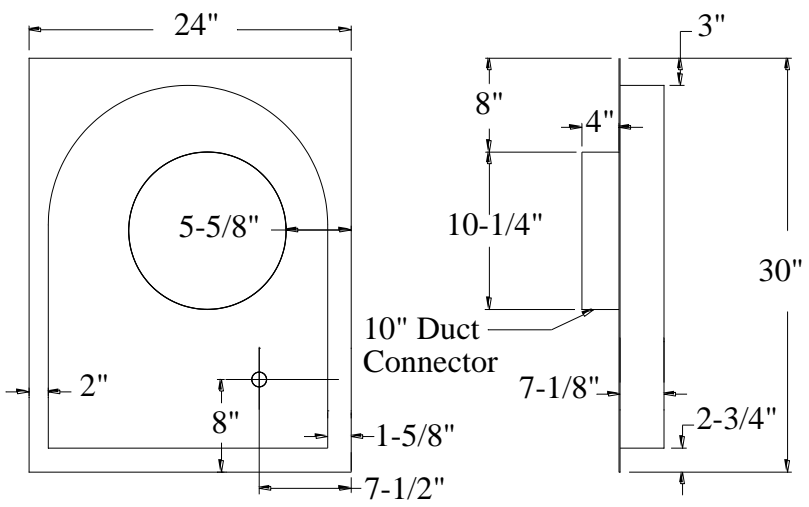
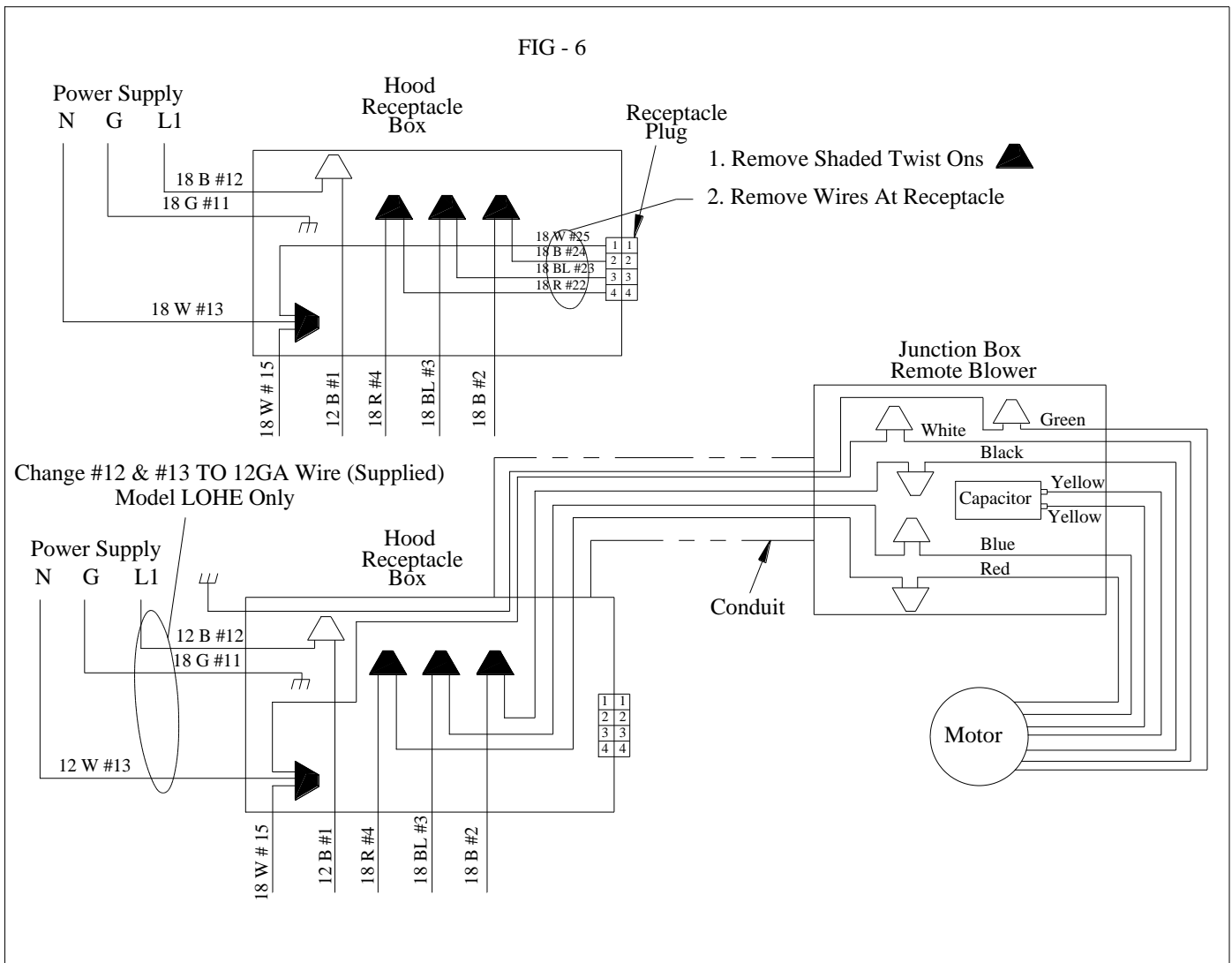


FIG - 6



- A. Access the hood junction box, remove the designated twist on connectors.
- B. Access the remote blower wiring box by removing the top cover, set aside screws for later use.
- C. Run four wires per local code, in conduit from remote blower to hood.
NOTE: maintain white, black, blue and red color code from blower wiring box to hood connections.
- D. Connect 4-wire from blower to hood with twist-on connectors from step – A; remote white to #13 & 15, remote black to #24 black, remote blue to #23 blue and remote red to #22 red.
NOTE: When connecting the hood to power supply, replace the black #12 wire and white #13 wire on hood with the 12 ga. wires supplied with the ventilator. See Fig – 6.
 When remote blower is to be grounded to the Power Supply Main Ground use appropriate wire gage per local codes. See Fig – 6.
 If the blower is grounded through the Hood the 16 ga Green Pigtail wire at the hood **Must Be Changed to 12 Ga, or Appropriate Wire Gage to Comply With Local Codes.**
- CAUTION:** To prevent malfunction and/or harm to electrical components, connections are to be made per diagram and instructions.
- E. Check rotation of blower wheel to be sure it rotates freely and does not rub brackets.
- F. Replace blower top cover and screws from step – B.

Lynx Professional Grills
 6023 E. Bandini Blvd.
 Commerce, CA 90040
 Service: (888) Buy-Lynx
 (888-289-5969)
 Fax: (323) 838-1778