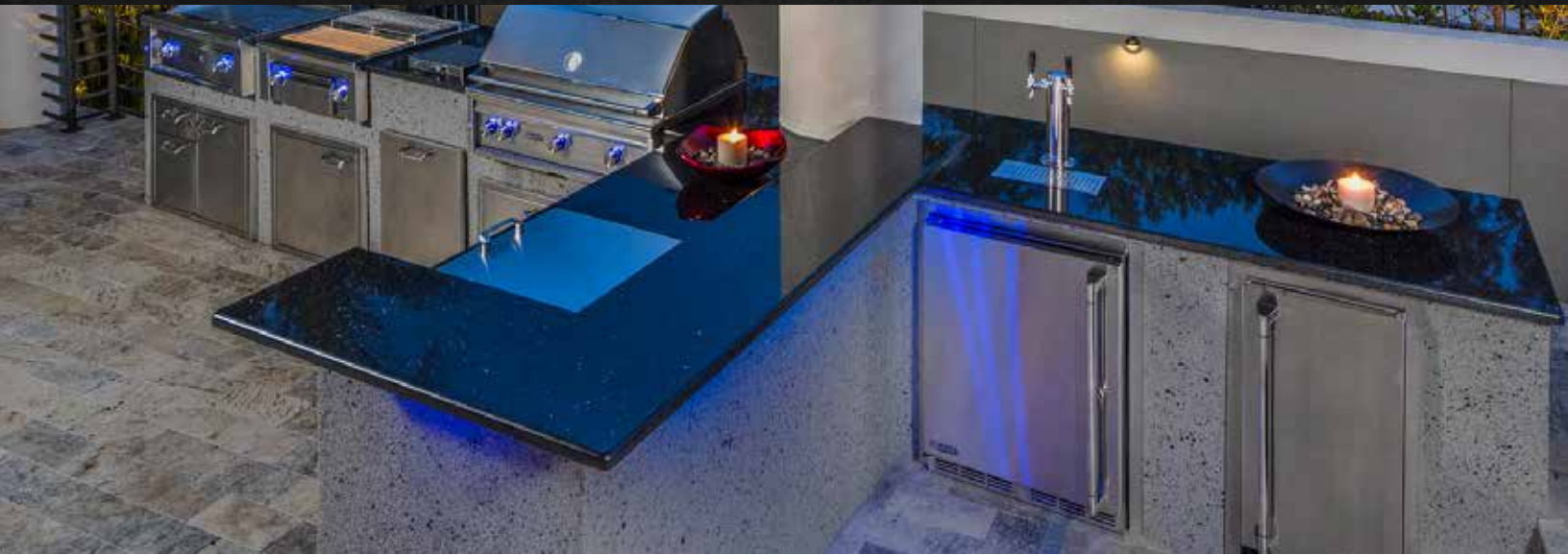




LYNX PROFESSIONAL OUTDOOR KITCHEN REFRIGERATION

24" REFRIGERATOR DRAWER

(LN24DWR)



PRODUCT OVERVIEW



Shown: LN24DWR

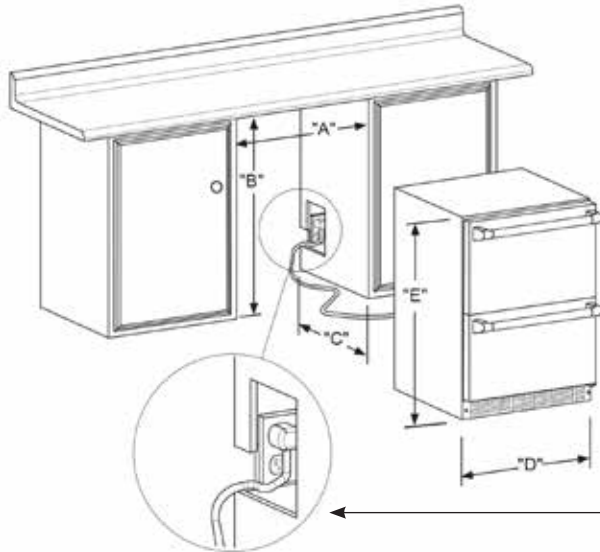
- Substantial room—5 cubic feet of space
- Responsive performance—dynamic cooling technology allows real-time temperature control
- Striking effect—blue interior lighting
- Innovative alerts—alarm indicates when the door is ajar, or if the temperature changes by more than 10°F in an hour, to protect food and save energy
- Complete access—full-extension glide-out drawer slides for access to the back of the drawer
- Simple security—the drawer locks for safety
- Customized range—temperature range of 34°–42°F
- Tested safety—UL listed for outdoor use
- Proven efficiency—Energy Star rated



FOR A COMPLIMENTARY CUSTOM DESIGN FOR YOUR OUTDOOR KITCHEN, VISIT LYNXGRILLS.COM/DESIGN-CENTER

PRODUCT DIMENSIONS

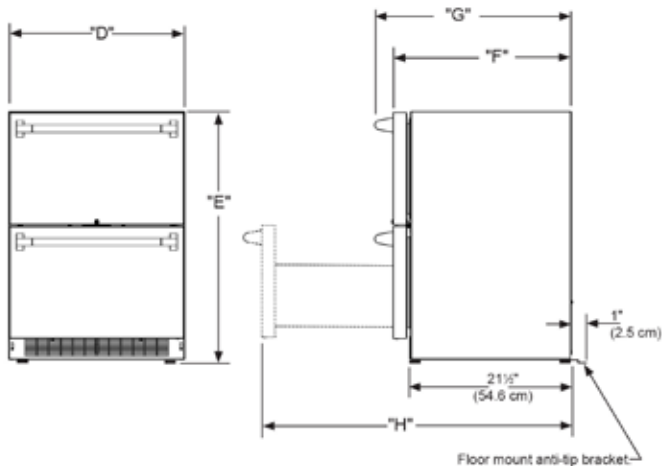
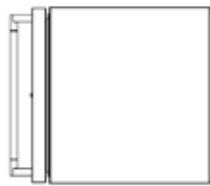
MODEL	ROUGH-IN OPENING DIMENSIONS			CABINET DIMENSIONS				
	"A"	"B"	"C"	"D"	"E"	"F"	"G"	"H"
LN24DWR	24" (61 cm)	**34" to 35" (86.4 cm to 88.9 cm)	*	23 $\frac{1}{4}$ " (60.7 cm)	33 $\frac{1}{4}$ " to 34 $\frac{1}{4}$ " (85.7 cm to 88.3 cm)	23 $\frac{23}{32}$ " (60.2 cm)	26 $\frac{1}{4}$ " (67.9 cm)	39 $\frac{1}{2}$ " (99.5 cm)



If necessary to gain clearance inside the rough-in opening a hole can be cut through the adjacent cabinet and the power cord routed through this hole to a power outlet. Another way to increase the available opening depth is to recess the power outlet into the rear wall to gain the thickness of the power cord plug. Not all recessed outlet boxes will work for this application as they are too narrow, but a recessed outlet box equivalent to Arlington #DVFR1W is recommended for this application, (see below).



SHOWN: DVFR1W



* Depth dimension of rough-in opening may vary depending on each individual installation. To recess entire door "F" dimension plus 1" (2.5 cm) for thickness of power cord plug is required.

** Minimum rough-in opening required is to be larger than the adjusted height of the cabinet.

A grounded 15 amp dedicated circuit is required. Follow all local building codes when installing electrical and appliance.