

# SEDONA<sup>TM</sup> BY LYNX





## TABLE OF CONTENTS

### WELCOME TO A HIGHER STANDARD



Quality Materials. Fine Craftsmanship. Innovative Features and Technology. First Class Warranty.

These attributes have earned Sedona by Lynx™ products a reputation for excellence among outdoor-dining enthusiasts.

Created by experts with decades of experience meeting the demanding requirements of the commercial restaurant industry, all Lynx products have always been designed to combine high performance and luxurious appearance with long-term durability, even under severe weather conditions.

WELCOME TO A HIGHER STANDARD	2
SEDONA BY LYNX™	3
OUTDOOR KITCHEN DESIGN SERVICES	4
MEET THE PROS	5
PROFESSIONAL CHEF FEATURES AND BENEFITS	6-7
PROSEAR TECHNOLOGY	8
SEDONA ISLANDS	9
READY TO FINISH ISLAND AND PACKAGES	10-13
READY TO FINISH FIREPITS AND ICE 'N' FIREPIT	14-15
SEDONA COOKING PERFORMANCE	17
THE SEDONA BUILT-IN COLLECTION (42", 36", 30" GRILLS)	18-20
SEDONA ALL-BRIQUETTE	21
THE SEDONA FREESTANDING COLLECTION (42", 36", 30" GRILLS) AND GRILL CARTS	22-25
SEDONA ADA® COMPLIANT GRILL	26-27
SEDONA OUTDOOR REFRIGERATOR	28
SEDONA COMPLEMENTARY PRODUCTS	29-36
CONNECT WITH US ONLINE	37
SPECIFICATIONS & INSTALLATION	38
SEDONA BY LYNX™ LIMITED WARRANTY	39



### SEDONA BY LYNX™

In this fast-paced, disposable world it may seem normal to replace your grill every few years. More than half of all grill purchases are to replace a worn out grill. With Sedona by Lynx™, the time has come to break this mold.

With a lifetime warranty against rust through, Sedona grills are manufactured by the Lynx Grills specialists in Southern California. Combining the latest technology with old world pride, each Sedona grill has the meticulous fit and finish and long-lasting materials that have made Lynx the favorite of outdoor kitchen enthusiasts for decades.

Expanding your living space to include your backyard is such a logical step. Everyone wants to be outdoors with nature. We spend too much of our lives indoors. So, friends and family, pull up a chair, relax, and get ready to share a great dining experience outdoors with Sedona by Lynx™.



— A GREAT —  
**DESIGN  
 CHANGES  
 EVERYTHING**



**GET STARTED TODAY**

With your complimentary design

Visit the Lynx Design Center  
[www.lynxgrills.com/designservice](http://www.lynxgrills.com/designservice)  
[designservice@lynxgrills.com](mailto:designservice@lynxgrills.com)



**MEET THE PROS**



**KENT RATHBUN**  
 DALLAS, TX  
 RESTAURATEUR AND IRON  
 CHEF WINNER

"As a chef I have been fortunate enough to work with many brands of equipment but when it comes to outdoor appliances, I find Lynx to be the Porsche of outdoor kitchen products."



**ANDRÉS DANGOND**  
 DOWNEY, CA  
 LYNX EXECUTIVE CHEF AND  
 DIRECTOR OF CULINARY  
 DEVELOPMENT

"The thing that blows my mind every time I turn on a Lynx Grill is how insanely hot it can get in a short amount of time. Realizing how fast it responds to heat adjustments when cooling it down for slow cooking after searing, or quickly heating up for reverse searing, made me realize we can almost forget everything we know about traditional grilling. These machines are perfect."



**DONATELLA ARPAIA**  
 NEW YORK, NY  
 IRON CHEF JUDGE AND  
 RESTAURATEUR

"My Lynx outdoor kitchen is beautiful, powerful and uses the latest technology. The grill cooks more evenly than any other grill and the made in America craftsmanship made it the only choice for me. There isn't anything I can't cook outside that I can inside. Our outdoor kitchen has become the heart of our home."



**ELIZABETH BLAU &  
 KIM CANTEENWALLA**  
 LAS VEGAS, NV  
 CHEF/RESTAURATEUR

"We are very proud to be joining the Lynx Chef Panel. Our Lynx grill is a success. We truly feel there is no competitor that can hold a candle to Lynx in terms of outdoor grilling."



**KEVIN GARVIN**  
 DALLAS, TX  
 EXECUTIVE CHEF, NEIMAN  
 MARCUS RESTAURANTS

"I like to use my outdoor Lynx grill as often as I can and nothing is better than searing a nice New York steak at 500° to 600°. It's that outside crispy char that I strive for all the time. Thanks for building the greatest grills in the world!"



**GLENN LYMAN**  
 CHARLOTTE, NC  
 PERSONAL CHEF TO HIGH  
 PROFILE ATHLETES

"When I think about time spent around the grill, I recall a lifetime of experience and quality time with family and friends. I cherish the memories of hanging out around the grill, sharing stories, swapping recipes, and making plans for the next gathering. Imagining the great taste and smell of grilled food sparks up nostalgia I will never forget. Thanks to the championship quality of Lynx, I have a real home-court advantage in the outdoor kitchen."



**MICHAEL SCHWARTZ**  
 MIAMI BEACH, FL  
 CHEF/RESTAURATEUR

"I'm honored to be part of the Lynx Chef Panel and work with its innovative products. Grilling is one of the simplest ways to build flavor into a dish and has always played an important role in my approach to cooking."



## PROFESSIONAL CHEF FEATURES AND BENEFITS

The innovative features, unparalleled performance and superior craftsmanship of Sedona by Lynx™ Grills are available in 30", 36" and 42" configurations for built-in or freestanding applications.



### 304 STAINLESS STEEL BURNERS

Durable stainless steel tube burners positioned under briquettes ensure instant ignition with steady and even heat distribution

23,000 BTU

Lifetime Warranty



### SUPERIOR FIT AND FINISH

All stainless steel construction

Continuously welded joints for quality, strength and beauty

Finished seams with finely polished edges



### CONTROL KNOBS ILLUMINATED WITH BLUE LED LIGHTS

Each knob features dedicated Blue LED lighting

Knob markings can easily be viewed at night



### STAINLESS STEEL GRATES

Heavy-duty electro-polished stainless steel grates



### TEMPERATURE GAUGE

Indicates when your grill is ready for cooking

Large and easy to read

Temperature gauge indicates internal temperature for indirect cooking



### INSULATED BULLNOSE

Safe to touch when grill is hot



### INTERNAL HALOGEN GRILL SURFACE LIGHT

Effectively illuminates the entire grilling surface using a heavy-duty Pyrex® glass lens directly over the grilling surface

10 watt halogen light



### SPARK IGNITION SYSTEM

Reliable spark ignition

Activated by burner control knobs

Battery back-up in event of a power failure



### CERAMIC RADIANT BRIQUETTES

Specially designed high-density ceramic

Even heat across the entire grilling surface

Briquettes are clipped in place to facilitate easy reversible cleaning

Enhances foods flavor as drippings hit the briquettes and impart flavor back into the food



### ROTISSERIE SYSTEM WITH REAR INFRARED BURNER

L700 42" Grills - 16,000 BTU

L600 36" Grills - 14,000 BTU

L500 30" Grills - 12,500 BTU

Weight capacity is 25 lbs



### HOOD ASSIST KIT

Heat treated stainless steel spring system

Makes hood operation effortless and safe



### AMPLE GRILLING SURFACE

30" Grills - 733 square inches (508 primary/225 secondary)

36" Grills - 891 square inches (618 primary/273 secondary)

42" Grills - 1,049 square inches (728 primary/321 secondary)



## UNIQUE PROSEAR TECHNOLOGY PROVIDES VARIABLE TEMPERATURE CONTROL



### VARIABLE SEARING TECHNOLOGY THAT GOES FROM SIMMER TO SEAR SEAMLESSLY

Unlike many grills with infrared searing burners that only offer two settings—high or off—the Lynx ProSear infrared burner is completely variable.

You can sear a baseball-cut filet mignon restaurant style, then throttle back to cook delicate seafood like scallops. This is the acclaimed ProSear burner with a limited lifetime warranty for which Lynx has been known for years.



Shown: L2600G Deluxe Island and LFPC-G Firepit

### AN ISLAND OF YOUR OWN – EXACTLY AS YOU WANT IT

Whether you're planning a custom outdoor kitchen installation tailored to your own design, or want the simplicity of a ready-made island package, the built-in models in the Sedona by Lynx™ family are a perfect fit. Choose from a variety of grill sizes, features, and complementary components to configure a custom installation. Or opt for an easily assembled island package offering a choice of color schemes, grill sizes, side burners, and storage systems.



4 fully-featured island models available



Quality in every detail



## READY-TO-FINISH ISLAND AND PACKAGES



Shown: Ready-To-Finish (RTF)

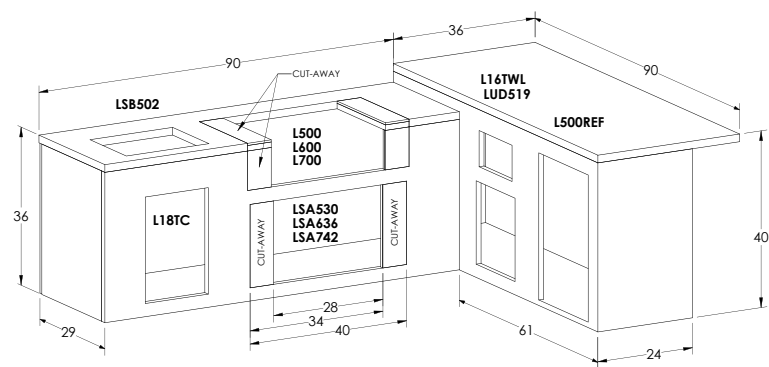
## READY-TO-FINISH ISLAND AND PACKAGES



Shown: Sample Finished Island

## FINALLY, AN AFFORDABLE OUTDOOR KITCHEN SOLUTION

Our Ready-To-Finish (RTF) Island comes prepared for the 30" L500 grill and door drawer combination. 36" and 42" grill configurations require a few additional cuts by the homeowner or contractor to remove additional panels for placement of grill and door drawer combination. Finish the island to match the architecture of your home.



### EASE OF ASSEMBLY

The ready-to-finish island is designed for easy delivery and fast assembly. The island can be assembled within 30 minutes by two to three people.

### AFFORDABILITY

Whether you're interested in just the island or in one of the full packages that Sedona by Lynx™ is offering, this solution will reduce the cost of building an outdoor kitchen **by up to 60%**.

### UNMATCHED QUALITY

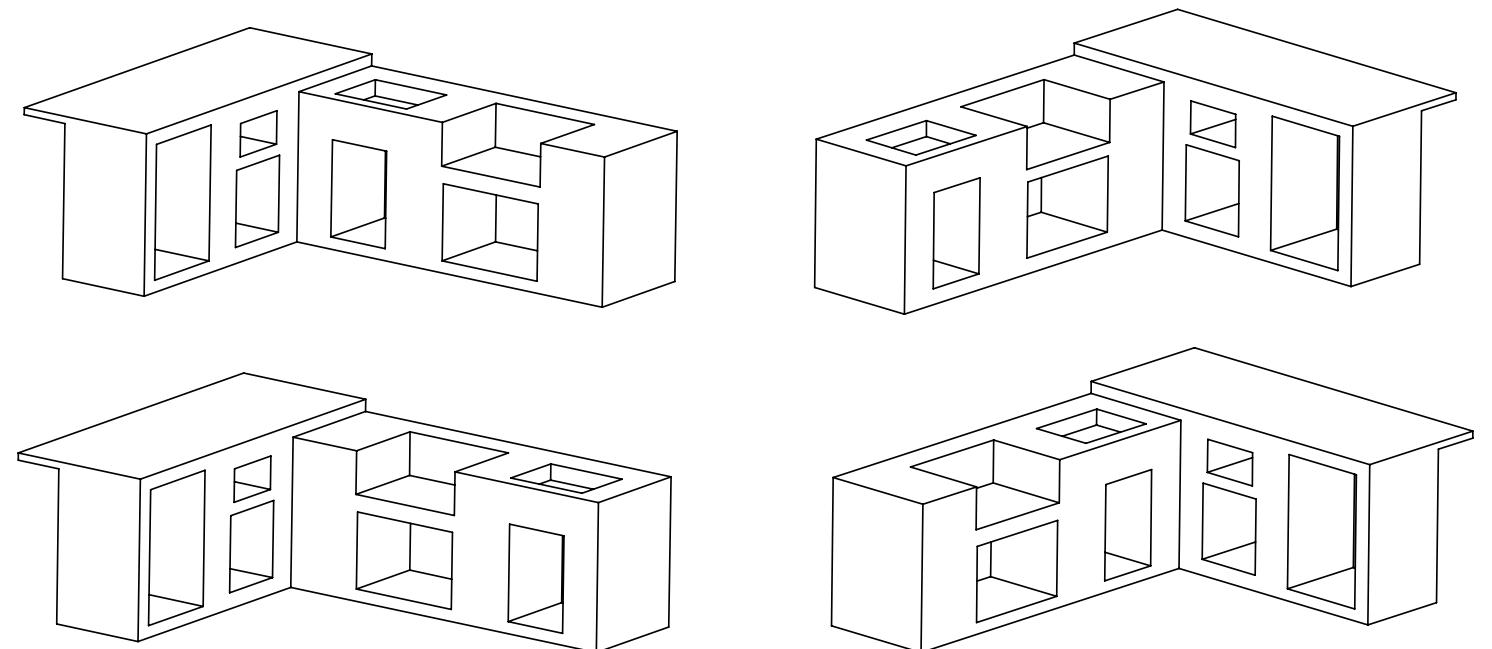
Framing made of galvanized steel and HardiBacker® board with Mold Block Technology. Each island is handcrafted and backed by a limited lifetime warranty by Lynx Grills.

MODEL	DESCRIPTION	UMRP	MSRP
RTF	Ready To Finish Island (Shown on left)	\$ 2,899	\$ 3,199
L5000	RTF Island: 30" Sedona Grill w/ Rotisserie (LSA530, LSB502, L16TWL-1, LUD519, L18TC, L500REF)	\$ 8,799	\$10,999
L6000	RTF Island: 36" Sedona Grill w/ Rotisserie (LSA636, LSB502, L16TWL-1, LUD519, L18TC, L500REF)	\$ 9,299	\$11,699
L7000	RTF Island: 42" Sedona Grill w/ Rotisserie (LSA742, LSB502, L16TWL-1, LUD519, L18TC, L500REF)	\$ 9,799	\$12,299

**NOTE: Must Specify Gas Type – NG for Natural Gas or LP for Propane**

## CHOOSE YOUR CONFIGURATION

Island can be assembled 4 different ways as shown in the diagrams. Island is fully reversible.





## SEDONA L2500/L2600 ISLAND PACKAGES



Shown: L2600G - Falcon Gray\*

L2600 ISLAND (WITH 36" GRILL)

### CONSTRUCTION

- Welded frame is 1" square tubing with galvanized protection
- Premium grade outdoor rated concrete board substrate
- Pre-wired with GFI protection for grill and refrigerator connections along with convenient electrical receptacle for rotisserie motor
- Two USB charging ports standard
- Island comes ready for gas connections and includes required venting
- Leveling feet are standard
- Requires 110V electricity

### FINISH

- Tough acrylic stucco that is waterproof, UV resistant, and long-lasting
- Sealed porcelain 6" x 6" tile is unglazed, frost proof, and designed for outdoor use
- Beautiful cross hatch tile pattern with a 3" border around the counter edges and with a bullnose finish and 3" vertical lip
- Includes a tile border which frames the front of the grill and base on three sides



Each island includes a pair of Bluetooth® speakers



Each island includes a USB charging port

MODEL	DESCRIPTION	UMRP	MSRP
L2600G	Falcon Gray Deluxe Island Package (Includes 36" Grill, LSA636, LSB502, L500REF)	\$ 8,499	\$ 8,999
L2500G	Falcon Gray Deluxe Island Package (Includes 30" Grill, LSA530, LSB502, L500REF)	\$ 7,499	\$ 7,999
LBTS	Pair of Bluetooth® Speakers	\$ 249	\$ 289

NOTE: Must Specify Gas Type – NG for Natural Gas or LP for Propane

## SEDONA L1500/L1600 ISLAND PACKAGES



Shown: L1500G - Falcon Gray\*

L1500 ISLAND (WITH 30" GRILL)

### ALL SEDONA ISLANDS ASSEMBLE IN MINUTES.

Sedona Islands are designed for easy delivery and quick setup. Delivered in a flat package sized to fit through typical backyard gates, they can be assembled within 30 minutes by two to three people using just a few tools.



MODEL	DESCRIPTION	UMRP	MSRP
L1600G	Falcon Gray Standard Island Package (Includes 36" Grill, LDR636, LSB501, L500REF)	\$ 6,999	\$ 7,499
L1500G	Falcon Gray Standard Island Package (Includes 30" Grill, LDR530, LSB501, L500REF)	\$ 5,999	\$ 6,499

NOTE: Must Specify Gas Type – NG for Natural Gas or LP for Propane



Available in Falcon Gray

## READY-TO-FINISH FIREPIT



Shown: Ready-to-Finish Firepit (RTFF)



Shown: Example of finished product

### READY-TO-FINISH FIREPIT

- Finish the firepit to match your backyard and outdoor kitchen
- Includes control panel, straight burner, burner pan, lava rocks, and access door
- Tabletop is 5' wide and 3' deep

## ICE N FIREPIT



LFPS-G

Ice 'N' Firepit models come finished, available in Falcon Gray. Swap out the fire bowl for ice bowl to hold cold refreshments.

- Includes two 30qt stainless steel bowls for either ice or fire
- Easily convertible—no tools necessary
- 65,000 BTU nautilus shaped burner
- T-handle valve and battery push button ignition
- Tabletop has a 4' diameter
- Includes vinyl cover

\*Ships with casters for easy movement

MODEL	DESCRIPTION	UMRP	MSRP
RTFF	Ready-To-Finish Firepit	\$ 799	\$ 899
LFPC-G	44" Circular, Ice 'N' Fire Pit, Falcon Gray	\$ 1,499	\$ 1,649
LFPS-G	44" Square, Ice 'N' Fire Pit, Falcon Gray	\$ 1,499	\$ 1,649
LFPNGK	Fire Pit LP to NG Conversion Kit	\$ 20	\$ 25





## SEDONA COOKING PERFORMANCE



### STAINLESS STEEL BURNERS WITH BRIQUETTES

Offered on every grill size, our most popular option is the briquettes over stainless steel burners. Why briquettes? Cooking over briquettes creates an even cooking surface ensuring that there are fewer hot or cold spots on your grill.



### PROSEAR™ BURNER

Offered on every grill size, this configuration offers the versatility of the ProSear. Unlike other grills, the Sedona by Lynx™ ProSear is fully variable. That means you can sear a filet or bring down the temperature and cook bone in chicken.



### ROTISSERIE COOKING

"A lot of people tend to forget about the rotisserie. To me, it's one of the coolest things on our Lynx grills. I love that I can set 2 or 3 whole chickens in there, close the hood and exactly one hour and fifteen minutes later, they are perfectly cooked—juicy inside and golden crisp outside. Same thing goes with a big prime rib roast, for example. A little garlic, rosemary, and salt. Two hours later, you have a delicious juicy roast with a beautiful char on the outside. It is also mesmerizing to watch as your food rotates and bastes itself with its own juices. Rotisserie cooking is truly an art."

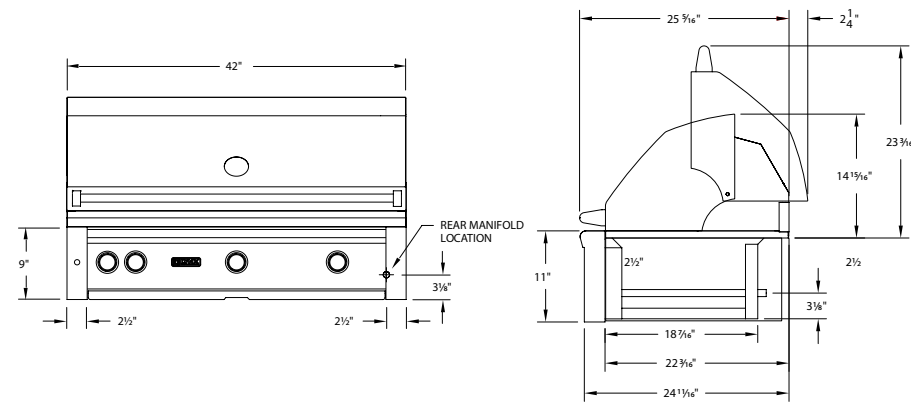
- Chef Andrés Dangond, Lynx Grills Executive Chef



## THE SEDONA BUILT-IN COLLECTION



Built-In



### 42" BUILT-IN GRILL

Shown: Model No. L700PSR

ProSear infrared technology delivers intense and controllable infrared heat

1,049-sq. in. cooking surface (728 primary, 321 secondary)

(2) 304 Stainless steel tube burners for extremely even cooking temperature

Superior fit and finish, continuously welded joints

Spark ignition system with battery back-up

Control illumination with blue LED lights

Dual internal halogen grill surface lights

Specially designed high-density ceramic radiant briquettes

Large and easy-to-read temperature gauge

Hood Assist Kit

Optional rotisserie models include rear infrared burner, compact rotisserie motor, spit rod, and two spit forks

Stainless steel grilling grates

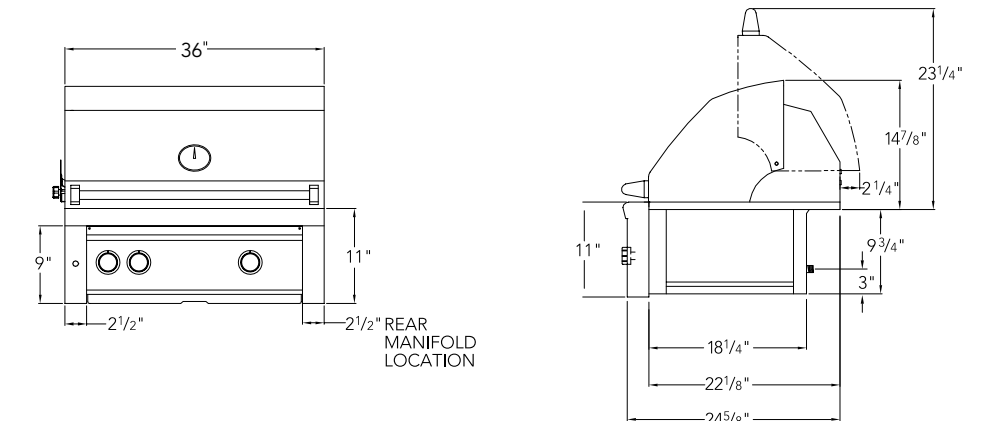
Dimensions: 42"W x 25"D x 25"H

Available in 4 different burner configurations: L700, L700R, L700PS & L700PSR

## THE SEDONA BUILT-IN COLLECTION



Built-In



### 36" BUILT-IN GRILL

Shown: Model No. L600PSR

ProSear infrared technology delivers intense and controllable infrared heat

891-sq. in. cooking surface (618 primary, 273 secondary)

(2) 304 Stainless steel tube burners for extremely even cooking temperature

Superior fit and finish, continuously welded joints

Spark ignition system with battery back-up

Control illumination with blue LED lights

Internal halogen grill surface light

Specially designed high-density ceramic radiant briquettes

Large and easy-to-read temperature gauge

Hood Assist Kit

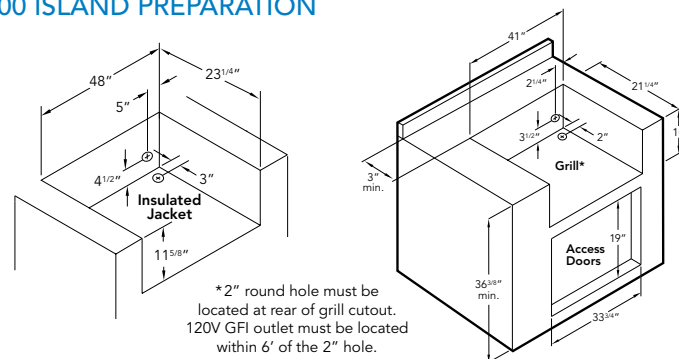
Optional rotisserie models include rear infrared burner, compact rotisserie motor, spit rod, and two spit forks

Stainless steel grilling grates

Dimensions: 36"W x 25"D x 25"H

Available in 4 different burner configurations: L600, L600R, L600PS & L600PSR

### L700 ISLAND PREPARATION



### COOKING SURFACE

- 1,049- sq. in. cooking surface (728 primary, 321 secondary)

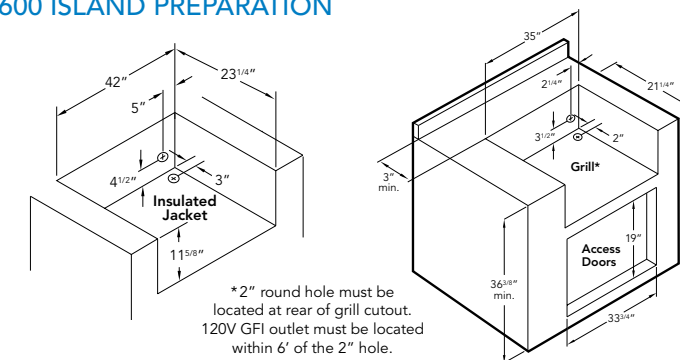
### SHIPPING WEIGHTS & DIMENSIONS

- L700 Grill: 240 lbs. / 47"W x 30"D x 34"H
- L700 Cart: 124 lbs. / 34"W x 44" D x 12"H

### COMPLEMENTARY PRODUCTS

- Doors/Drawers: LSA742, LDR742
- Side Burners: LSB501, LSB502
- Refrigerator: L500REF

### L600 ISLAND PREPARATION



### COOKING SURFACE

- 891-sq. in. cooking surface (618 primary, 273 secondary)

### SHIPPING WEIGHTS & DIMENSIONS

- L600 Grill: 205 lbs. / 41"W x 30"D x 34"H
- L600 Cart: 106 lbs. / 38"W x 34" D x 12"H

### COMPLEMENTARY PRODUCTS

- Doors/Drawers: LSA636, LDR636
- Side Burners: LSB501, LSB502
- Refrigerator: L500REF

MODEL	DESCRIPTION	UMRP	MSRP
L700	42" Built-In Grill – 3 Stainless Steel Burners	\$ 3,089	\$ 3,369
L700R	42" Built-In Grill – 3 Stainless Steel Burners w/ Rotisserie	\$ 3,399	\$ 3,709
L700PS	42" Built-In Grill – 1 ProSear Burner & 2 Stainless Steel Burners	\$ 3,089	\$ 3,369
L700PSR	42" Built-In Grill – 1 ProSear Burner & 2 Stainless Steel Burners w/ Rotisserie	\$ 3,399	\$ 3,709
LIJ700	Insulating Jacket for 42" Built-In Grill	\$ 699	\$ 769
VC700	42" Vinyl Cover (built-in)	\$ 159	\$ 169

MODEL	DESCRIPTION	UMRP	MSRP
L600	36" Built-In Grill – 3 Stainless Steel Burners	\$ 2,579	\$ 2,809
L600R	36" Built-In Grill – 3 Stainless Steel Burners w/ Rotisserie	\$ 2,879	\$ 3,139
L600PS	36" Built-In Grill – 1 ProSear Burner & 2 Stainless Steel Burners	\$ 2,579	\$ 2,809
L600PSR	36" Built-In Grill – 1 ProSear Burner & 2 Stainless Steel Burners w/ Rotisserie	\$ 2,879	\$ 3,139
LIJ600	Insulating Jacket for 36" Built-In Grill	\$ 599	\$ 659
VC600	36" Vinyl Cover (built-in)	\$ 129	\$ 139

NOTE: Must Specify Gas Type – NG for Natural Gas or LP for Propane

NOTE: For planning and installation details—including dimensions, specification sheets, CAD drawings, and 3-D renderings—please visit the Product Support section of the Lynx website: [www.lynxgrills.com](http://www.lynxgrills.com)

NOTE: Must Specify Gas Type – NG for Natural Gas or LP for Propane

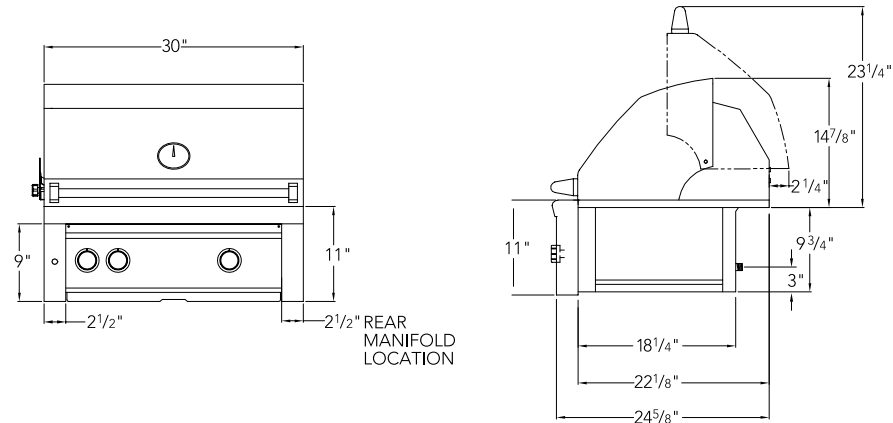
NOTE: For planning and installation details—including dimensions, specification sheets, CAD drawings, and 3-D renderings—please visit the Product Support section of the Lynx website: [www.lynxgrills.com](http://www.lynxgrills.com)



## THE SEDONA BUILT-IN COLLECTION



Built-In



### 30" BUILT-IN GRILL

Shown: Model No. L500PSR

ProSear infrared technology delivers intense and controllable infrared heat

733-sq. in. cooking surface (508 primary, 225 secondary)

(1) 304 Stainless steel tube burner for extremely even cooking temperature

Superior fit and finish, continuously welded joints

Spark ignition system with battery back-up

Control illumination with blue LED lights

Internal halogen grill surface light

Specially designed high-density ceramic radiant briquettes

Large and easy-to-read temperature gauge

Hood Assist Kit

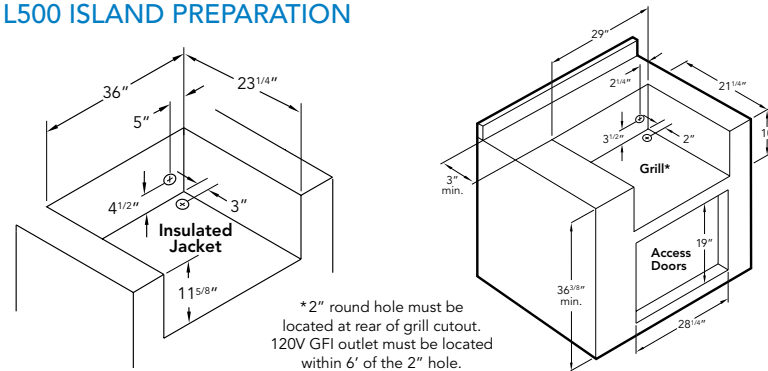
Optional rotisserie models include rear infrared burner, compact rotisserie motor, spit rod, and two spit forks

Stainless steel grilling grates

Dimensions: 30"W x 25"D x 25"H

Available in 4 different burner configurations: L500, L500R, L500PS & L500PSR

### L500 ISLAND PREPARATION



### COOKING SURFACE

- 733-sq. in. cooking surface (508 primary, 225 secondary)

### SHIPPING WEIGHTS & DIMENSIONS

- L500 Grill: 168 lbs. / 35"W x 30"D x 34"H
- L500 Cart: 86 lbs. / 34"W x 30"D x 12"H

### COMPLEMENTARY PRODUCTS

- Doors/Drawers: LSA530, LDR530
- Side Burners: LSB501, LSB502
- Refrigerator: L500REF

MODEL	DESCRIPTION	UMRP	MSRP
L500	30" Built-In Grill – 2 Stainless Steel Burners	\$ 2,059	\$ 2,249
L500R	30" Built-In Grill – 2 Stainless Steel Burners w/ Rotisserie	\$ 2,369	\$ 2,579
L500PS	30" Built-In Grill – 1 ProSear Burner & 1 Stainless Steel Burner	\$ 2,059	\$ 2,249
L500PSR	30" Built-In Grill – 1 ProSear Burner & 1 Stainless Steel Burner w/ Rotisserie	\$ 2,369	\$ 2,579
LIJ500	Insulating Jacket for 30" Built-In Grill	\$ 499	\$ 549
VC500	30" Vinyl Cover (built-in)	\$ 99	\$ 109

NOTE: Must Specify Gas Type – NG for Natural Gas or LP for Propane

NOTE: For planning and installation details—including dimensions, specification sheets, CAD drawings, and 3-D renderings—please visit the Product Support section of the Lynx website: [www.lynxgrills.com](http://www.lynxgrills.com)



## SEDONA ALL-BRIQUETTE

Every Sedona by Lynx™ grill is available with the gorgeous all-briquette layout. If you are a fan of cooking over flavor-enhancing ceramic briquettes, now is your chance to own a Sedona by Lynx™ grill featuring durable stainless steel burners in every cooking zone for an even heat across the entire grilling surface.

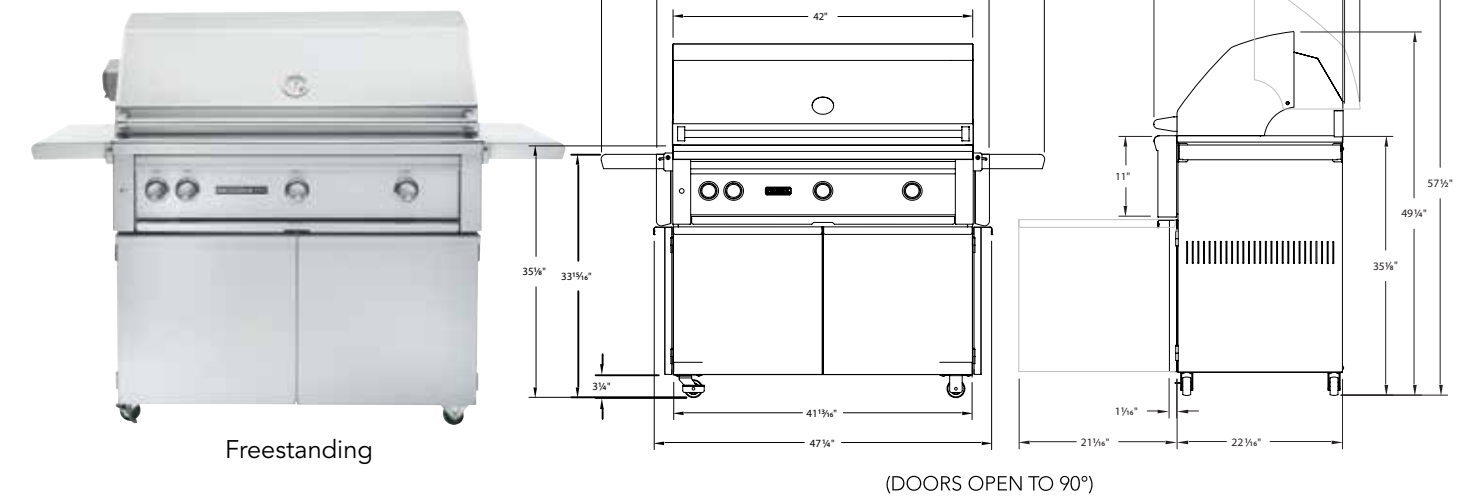




## THE SEDONA FREESTANDING COLLECTION

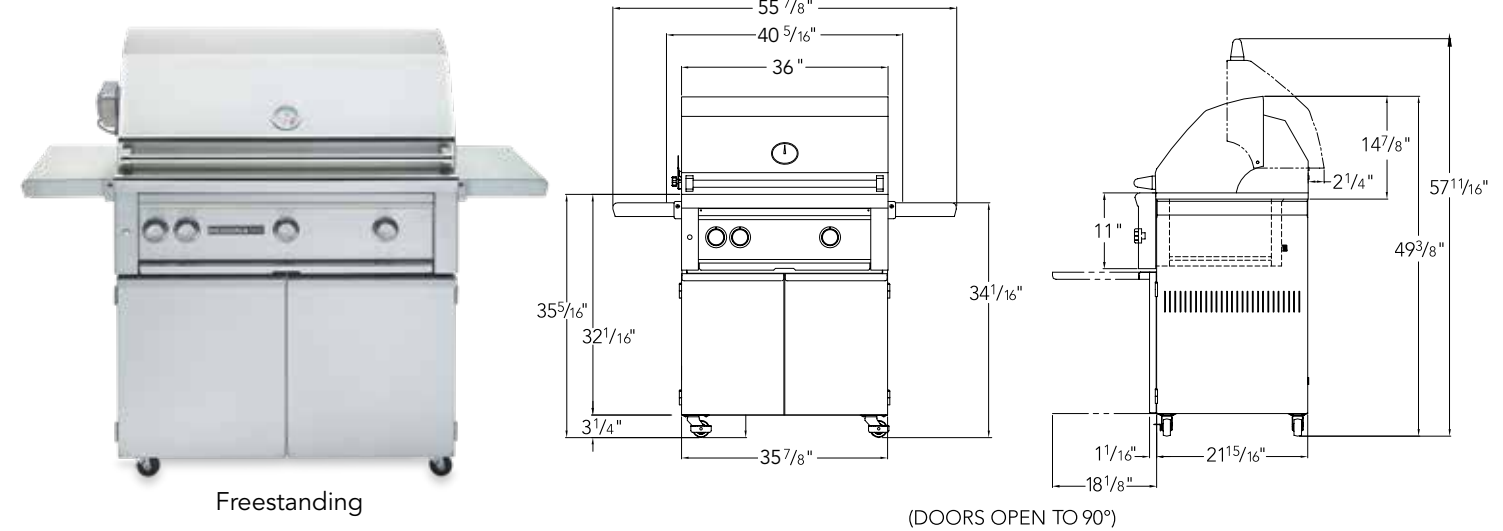
### 42" GRILL

Shown: Model No. L700PSFR



### 36" GRILL

Shown: Model No. L600PSFR



## FREESTANDING MODELS ADD MOBILE CONVENIENCE

Enjoy the advanced grilling and superior craftsmanship of Sedona by Lynx™ in a form that fits in any outdoor area—even small patios. Sedona Freestanding models offer a full range of grill sizes and convenience features. They also roll easily on heavy-duty casters so you can quickly reposition your grill or store it when you're not entertaining. *Sedona freestanding grills ship fully assembled from the factory.*

MODEL	DESCRIPTION	UMRP	MSRP
L700F	42" Freestanding Grill – 3 Stainless Steel Burners	\$ 3,960	\$ 4,319
L700FR	42" Freestanding Grill – 3 Stainless Steel Burners w/ Rotisserie	\$ 4,270	\$ 4,659
L700PSF	42" Freestanding Grill – 1 ProSear Burner & 2 Stainless Steel Burners	\$ 3,960	\$ 4,319
L700PSFR	42" Freestanding Grill – 1 ProSear Burner & 2 Stainless Steel Burners w/ Rotisserie	\$ 4,270	\$ 4,659
VC700F	42" Vinyl Cover (freestanding)	\$ 229	\$ 249
L600F	36" Freestanding Grill – 3 Stainless Steel Burners	\$ 3,347	\$ 3,649
L600FR	36" Freestanding Grill – 3 Stainless Steel Burners w/ Rotisserie	\$ 3,647	\$ 3,979
L600PSF	36" Freestanding Grill – 1 ProSear Burner & 2 Stainless Steel Burners	\$ 3,347	\$ 3,649
L600PSFR	36" Freestanding Grill – 1 ProSear Burner & 2 Stainless Steel Burners w/ Rotisserie	\$ 3,647	\$ 3,979
VC600F	36" Vinyl Cover (freestanding)	\$ 199	\$ 219

**NOTE: Must Specify Gas Type – NG for Natural Gas or LP for Propane**

**NOTE:** For planning and installation details—including dimensions, specification sheets, CAD drawings, and 3-D renderings—please visit the Product Support section of the Lynx website: [www.lynxgrills.com](http://www.lynxgrills.com)

**NOTE:** Freestanding "F" models come shipped pre-assembled from the factory

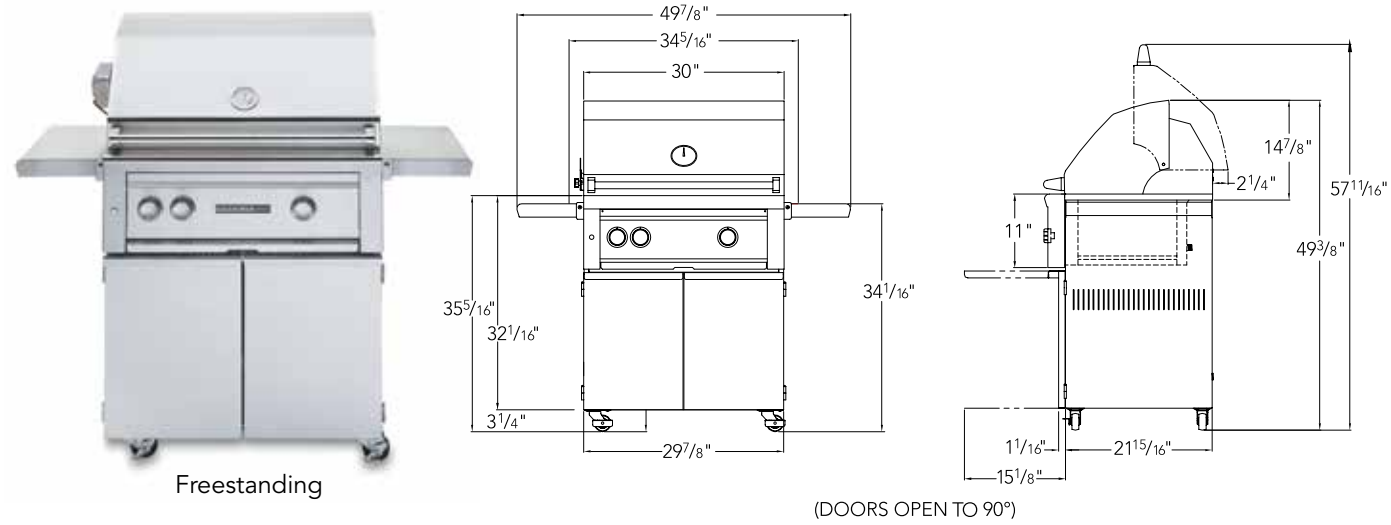
**NOTE:** Grill and cart may also be purchased separately. Assembly required by homeowner



## THE SEDONA FREESTANDING COLLECTION

### 30" GRILL

Shown: Model No. L500PSFR



### GRILL CARTS



Shown: Model No. S36CART

*Sedona cart bases offer mobility and a freestanding option. Standard features include casters, locking brakes on the carts, and flush handles with mirrored accents.*

MODEL	DESCRIPTION	UMRP	MSRP
L500F	30" Freestanding Grill – 2 Stainless Steel Burners	\$ 2,724	\$ 3,129
L500FR	30" Freestanding Grill – 2 Stainless Steel Burners w/ Rotisserie	\$ 3,034	\$ 3,309
L500PSF	30" Freestanding Grill – 1 ProSear Burner & 1 Stainless Steel Burner	\$ 2,724	\$ 3,129
L500PSFR	30" Freestanding Grill – 1 ProSear Burner & 1 Stainless Steel Burner w/ Rotisserie	\$ 3,034	\$ 3,309
VC500F	30" Vinyl Cover (freestanding)	\$ 149	\$ 159
S42CART	Cart for 42" Grill	\$ 721	\$ 821
S36CART	Cart for 36" Grill	\$ 618	\$ 718
S30CART	Cart for 30" Grill	\$ 515	\$ 615

**NOTE: Must Specify Gas Type – NG for Natural Gas or LP for Propane**

**NOTE: For planning and installation details—including dimensions, specification sheets, CAD drawings, and 3-D renderings—please visit the Product Support section of the Lynx website: [www.lynxgrills.com](http://www.lynxgrills.com)**

**NOTE: Freestanding "F" models come shipped pre-assembled from the factory**

**NOTE: Grill and cart may also be purchased separately. Assembly required by homeowner**





# THE SEDONA ADA® COMPLIANT GRILL



Lynx is proud to introduce the first freestanding cart grill designed for individuals with disabilities. Yet another Lynx first, this ADA compliant unit is very accessible, extremely practical, and has all the amazing features of the Sedona by Lynx™ Grill. Available in 30" and 36" freestanding cart sizes, with or without rotisserie option.

## Meet Michael

The ADA grill is an achievement of passion, vision, and a unique partnership that steered the development process. When the Lynx engineering team began designing the ADA grill, we knew we needed an authentic voice to guide its development. Through a mutual friend, we were introduced to Michael (out of respect for privacy, we refrain from including his last name). Michael is a C7 quadriplegic, having suffered a break in his 7th cervical spinal cord segment in a diving board accident that left him paralyzed from the chest down.

Michael was involved in shaping key features of the ADA grill; the propane tank holder, the insulated bullnose, and the grill storage system to name a few. We were happy to hear that core features of our Sedona by Lynx™ grills, such as the Lynx Hood Assist were his favorite features. Michael's contributions on improving the accessibility features of the ADA grill has been invaluable. His insight into the people and families that comprise the disabled community has had impact beyond measure.

We started out as partners. We are glad to call Michael a friend. Thank you for all your contributions Michael. We couldn't have done it without you.

\*Americans with Disabilities Act of 1990

# THE SEDONA ADA® COMPLIANT GRILL



## ADA GRILL

32" High cooking surface

8" Toekick



## LID HANDLE

Adjustable side handle for less than a 42" reach

Hood assist makes raising and lowering nearly effortless



## PROPANE TANK HOLDER

Side or rear mounted propane tank is very accessible



## INSULATED BULLNOSE

Safe to touch while grilling



## GRILL STORAGE SYSTEM

2 easy side drawers means no reaching under the grill for tools



## ADA KNOB

Specifically designed to be ADA compliant

MODEL	DESCRIPTION	UMRP	MSRP
L500ADA	30" Grill – 1 ProSear Burner & 1 Stainless Steel Burner (freestanding)	\$ 2,779	\$ 3,029
L500ADAR	30" Grill – 1 ProSear Burner & 1 Stainless Steel Burner w/ Rotisserie (freestanding)	\$ 3,089	\$ 3,369
L600ADA	36" Grill – 1 ProSear Burner & 2 Stainless Steel Burners (freestanding)	\$ 3,399	\$ 3,699
L600ADAR	36" Grill – 1 ProSear Burner & 2 Stainless Steel Burners w/ Rotisserie (freestanding)	\$ 3,709	\$ 3,999
VC30ADA	30" Vinyl Cover (freestanding)	\$ 179	\$ 199
VC36ADA	36" Vinyl Cover (freestanding)	\$ 239	\$ 259
ADAKIT	Kit includes 4 Knobs & 1 Hood Handle	\$ 99	\$ 119

**NOTE: Must Specify Gas Type – NG for Natural Gas or LP for Propane**

**NOTE:** For planning and installation details—including dimensions, specification sheets, CAD drawings, and 3-D renderings—please visit the Product Support section of the Lynx website: [www.lynxgrills.com](http://www.lynxgrills.com)



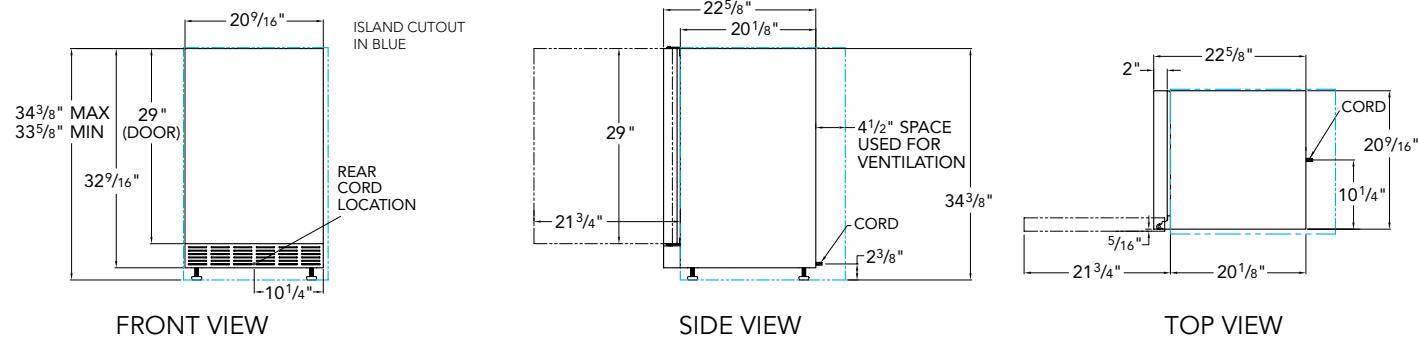
## SEDONA OUTDOOR REFRIGERATOR

Elegantly crafted to complement your Sedona by Lynx™ grill, this rugged, outdoor-rated refrigerator is built to withstand the elements. It provides ample space to keep chilled refreshments and grilling ingredients close at hand, shelves that can hold bottles upright or adjust for flat, high-capacity storage.



### MODEL L500REF 20" OUTDOOR REFRIGERATOR

- UL listed for outdoor use
- Seamless stainless steel exterior
- Interior light
- 4.1 cubic feet of usable capacity
- 3 wire shelves
- Can dispenser in door for convenience
- Additional door storage
- Reversible door (kit included)
- Front air discharge
- Leveling feet included



**NOTE:** For this illustration refrigerator has been set at a maximum height of 34 <sup>3</sup>/<sub>8</sub>"

MODEL	DESCRIPTION	UMRP	MSRP
L500REF	20" Outdoor Refrigerator	\$ 999	\$ 1,199

**NOTE:** For planning and installation details—including dimensions, specification sheets, CAD drawings, and 3-D renderings—please visit the Product Support section of the Lynx website: [www.lynxgrills.com](http://www.lynxgrills.com)

## SEDONA COMPLEMENTARY PRODUCTS

Sedona by Lynx™ offers a complete line of complementary products to allow you to fully equip your outdoor kitchen. This includes a variety of access doors, combination storage systems, side burners, a refrigerator, insulating jackets, and vinyl covers.



### MODEL LDR418 / LDR424 / LDR530 / LDR636 / LDR742 SINGLE ACCESS DOORS/DOUBLE ACCESS DOORS

- 18", 24", 30", 36" and 42" sizes available
- Provides easy access to underneath your island



### MODEL LSA530 / LSA636 / LSA742 ACCESS DOOR & FULLY ENCLOSED DOUBLE DRAWERS

- Storage door and double drawer combination
- 30", 36", and 42" sizes available
- Each drawer is 23" deep



### MODEL LUD519 19" ENCLOSED DOUBLE DRAWERS

- Each drawer exterior is 19" wide
- Extended depth is 23" to accommodate oversized items like grilling tools
- Fully extendable drawers on stainless steel slides for smooth and consistent operation



### MODEL L18TC OUTDOOR TRASH CENTER

- Provides a concealed, attractive option
- Includes heavy-duty removable trash bin
- Tilt out, unframed
- Seamless welded construction
- Door and stainless bin are removable for cleaning

MODEL	DESCRIPTION	UMRP	MSRP
LDR418	18" Single Access Door	\$ 199	\$ 219
LDR424	24" Single Access Door	\$ 229	\$ 249
LDR530	30" Double Access Doors	\$ 399	\$ 439
LDR636	36" Double Access Doors	\$ 459	\$ 509
LDR742	42" Double Access Doors	\$ 529	\$ 579
LSA530	30" Access Door & Fully Enclosed Double Drawers	\$ 799	\$ 899
LSA636	36" Access Door & Fully Enclosed Double Drawers	\$ 999	\$ 1,099
LSA742	42" Access Door & Fully Enclosed Double Drawers	\$ 1,079	\$ 1,179
LUD519	19" Enclosed Double Drawers	\$ 799	\$ 899
L18TC	18" Outdoor Trash Center	\$ 699	\$ 779

**NOTE:** For planning and installation details—including dimensions, specification sheets, CAD drawings, and 3-D renderings—please visit the Product Support section of the Lynx website: [www.lynxgrills.com](http://www.lynxgrills.com)



## SEDONA COMPLEMENTARY PRODUCTS



- MODEL LSKD18**  
18" DROP IN DEEP SINK
- Basin size 14 3/4" x 16 1/2" x 10"
  - 3 1/2" drain with stopper & basket
  - Accommodates disposal unit
  - Sized to accommodate faucet LFK
  - Stainless steel cover included



- MODEL LFK**  
OUTDOOR FAUCET
- Solid stainless steel faucet
  - Outdoor-rated with 10 year warranty
  - Hot/cold or cold only
  - Washerless operation
  - High arch fits larger pots & pans
  - Single-lever handle operation
  - Sleek modern design



- MODEL LDC18**  
18" DROP-IN COOLER
- Fully insulated all-welded stainless steel cooler with polished highlights
  - 1.7 cu. ft. capacity
  - Heavy duty refrigerator gasket and insulated lid keeps items cool
  - Hydraulic-like bracket holds lid open and allows for soft-close action
  - Removable hinge pins allows for cooler to be used without lid
  - Drain in base for attaching hose (hose not included)
  - 13" depth accommodates most wine bottles



- MODEL L16TWL-1**  
OUTDOOR TOWEL DISPENSER
- Provides a concealed, attractive option
  - Accommodates standard roll of paper towels
  - Heavy-duty welded construction
  - Professional style handle
  - Door swings up

MODEL	DESCRIPTION	UMRP	MSRP
LFK	Gooseneck Faucet	\$ 349	\$ 399
LSKD18	18" Outdoor Drop In Deep Sink	\$ 449	\$ 499
L16TWL-1	16" Outdoor Paper Towel Dispenser	\$ 249	\$ 299
LDC18	18" Drop-In Cooler	\$ 639	\$ 699

**NOTE: Must Specify Gas Type – NG for Natural Gas or LP for Propane**  
**NOTE:** For planning and installation details—including dimensions, specification sheets, CAD drawings, and 3-D renderings—please visit the Product Support section of the Lynx website: [www.lynxgrills.com](http://www.lynxgrills.com)

## SEDONA COMPLEMENTARY PRODUCTS



- MODEL LSB501**  
SINGLE SIDE BURNER
- One @12,500 BTU burner
  - Includes stainless steel cover
  - Blue LED light activated by grills light switch
  - Easy to clean sealed burner base
  - Battery operated ignition



- MODEL LSB502**  
DOUBLE SIDE BURNER
- Two burners @12,500 BTU per burner
  - Includes stainless steel cover
  - Blue LED lights activated by grills light switch
  - Easy to clean sealed burner base
  - Battery operated ignition



- MODEL SVH36 / SVH42 / SVH48**  
VENT HOOD
- 15" deep at the top and 32" deep at bottom
  - Includes powerful internal blower that delivers 1200 CFM
  - Dimmable 50 watt halogen lights
  - Four 12" x 14" baffle filters for enhanced performance
  - Baffle filters are durable and dishwasher safe.



- MODEL LIJ500/LIJ600/LIJ700**  
INSULATED JACKET
- Mandatory for grills installed in islands with combustible materials
  - Attractive all-welded, insulated, construction

MODEL	DESCRIPTION	UMRP	MSRP
LSB501	Single Side Burner	\$ 599	\$ 659
LSB502	Double Side Burner	\$ 799	\$ 879
SVH36	36" Vent Hood includes 1200 CFM internal blower	\$ 1,999	\$ 2,279
SVH42	42" Vent Hood includes 1200 CFM internal blower	\$ 2,239	\$ 2,549
SVH48	48" Vent Hood includes 1200 CFM internal blower	\$ 2,459	\$ 2,799
SDC1236	12" External Duct Cover for 36" Vent Hood	\$ 368	\$ 399
SDC1242	12" External Duct Cover for 42" Vent Hood	\$ 407	\$ 449
SDC1248	12" External Duct Cover for 48" Vent Hood	\$ 450	\$ 499
LIJ500	Insulated Jacket 30" Grill	\$ 499	\$ 549
LIJ600	Insulated Jacket 36" Grill	\$ 599	\$ 659
LIJ700	Insulated Jacket 42" Grill	\$ 699	\$ 769
SEDLPK	NG to LP Grill Conversion Kit	\$ 65	\$ 69
SEDNGK	LP to NG Grill Conversion Kit	\$ 20	\$ 25

**NOTE:** NG for Natural Gas and LP for Propane



5" STEAK  
Germany Steel

**WILYNNX**®







## SEDONA COMPLEMENTARY PRODUCTS



### MODEL GP

#### GRIDDLE PLATE

- Cook anything on your grill
- Easy to clean stainless steel surface
- 11" x 15" cooking surface
- Angled 5° slope front to rear to prevent spillage
- 4 feet firmly grip grates
- 2" high sides



### MODEL LGRT

#### 3 PIECE GRILLING TOOL SET (Available Spring of 2018)

- 3 piece BBQ tool set plus additional basting brush attachment
- Spatula has a serated leading edge that allows it to slide easily under food
- Cleaning tool helps eliminate baked foods from solid grates
- Tongs include a locking mechanism to grip food easily.
- Basting brush attachment attaches to cleaning tool to easily baste juices onto food
- Large, durable handles
- Ergonomic handles designed for maximum comfort, efficiency, and ease-of-use



### MODEL RB8

#### ROTISSERIE BASKET

- Versatile cooking accessory, great for vegetables, chicken wings, roasting coffee beans, and more
- Compatible with any Lynx or Sedona rotisserie grill
- Works with both the rear rotisserie burner or standard grilling burners
- Easy to clean and dishwasher safe



### MODEL LSTK

#### LYNX STEAK KNIFE SET

- Set includes six 5 inch steakhouse style knives with beautiful wooden case
- Black and stainless steel handles
- Quality durable construction
- Blades slice easily through food

MODEL	DESCRIPTION	UMRP	MSRP
GP	Griddle Plate	\$ 279	\$ 339
RB8	Rotisserie Basket	\$ 149	\$ 159
LGRT	3 Piece Grilling Tool Set	\$ 179	\$ 199
LSTK	Lynx Steak Knife Set	\$ 119	\$ 129



## SEDONA COMPLEMENTARY PRODUCTS



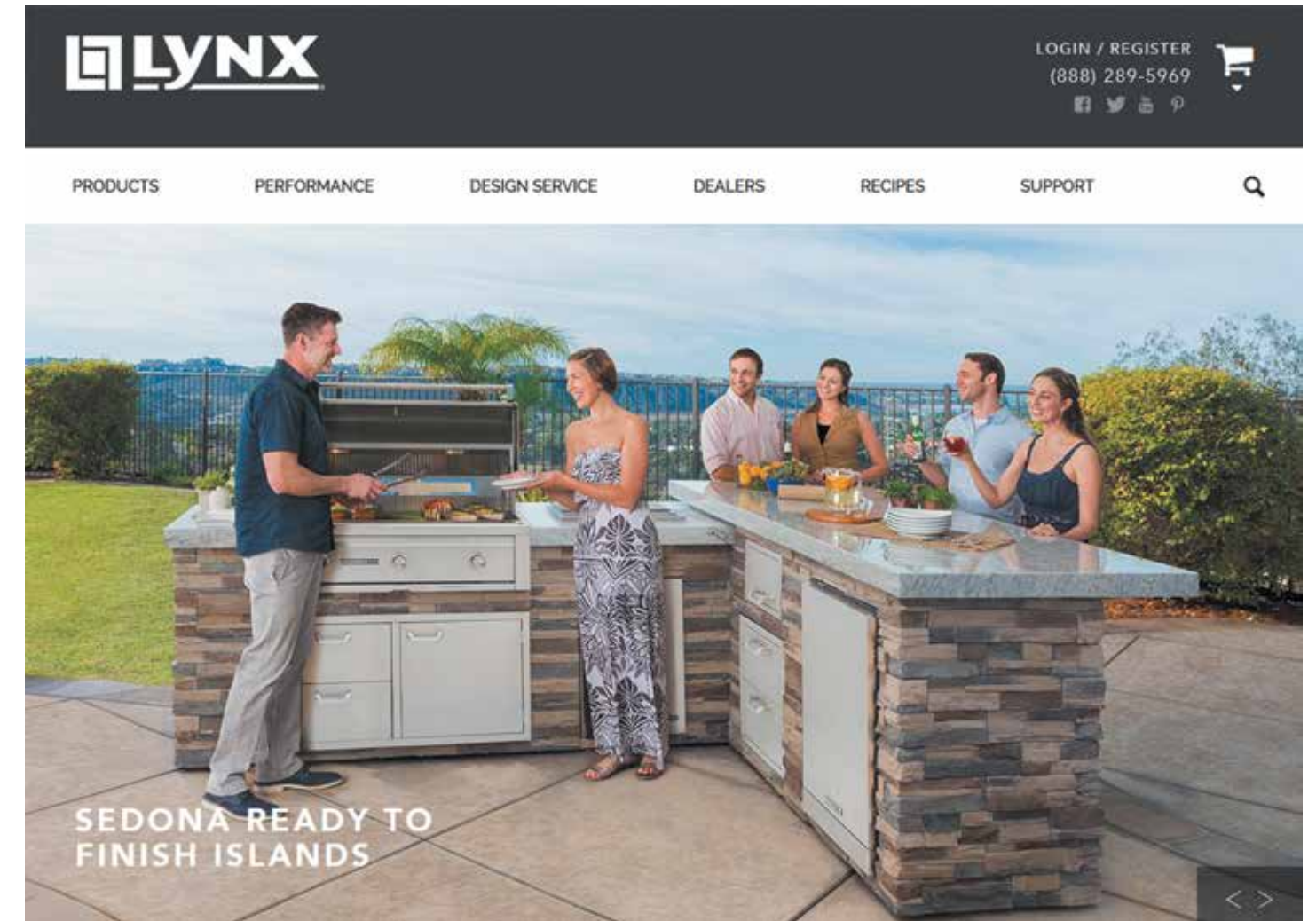
**MODEL VC700 / VC600 / VC500**  
VINYL COVER FOR BUILT-IN GRILL



**MODEL VC700F / VC600F / VC500F / VC36ADA / VC30ADA**  
VINYL COVER FOR FREESTANDING GRILL

MODEL	DESCRIPTION	UMRP	MSRP
VC500	30" Vinyl Cover Built-In	\$ 99	\$ 109
VC500F	30" Vinyl Cover Freestanding	\$ 149	\$ 159
VC600	36" Vinyl Cover Built-In	\$ 129	\$ 139
VC600F	36" Vinyl Cover Freestanding	\$ 199	\$ 219
VC700	42" Vinyl Cover Built-In	\$ 159	\$ 169
VC700F	42" Vinyl Cover Freestanding	\$ 229	\$ 249
VC30ADA	30" Vinyl Cover Freestanding ADA	\$ 179	\$ 199
VC36ADA	36" Vinyl Cover Freestanding ADA	\$ 239	\$ 259

## CONNECT WITH US ONLINE

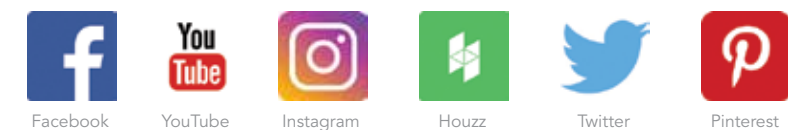


There's so much more online! Visit [Lynxgrills.com](http://Lynxgrills.com) and check out our Complimentary Design Service, Full Library of Product information and documents, Videos and Photos.

### PRODUCT REGISTRATION ONLINE

Go to [www.lynxgrills.com/support/registration](http://www.lynxgrills.com/support/registration) to register your new Sedona by Lynx™ Grill warranty. The information you provide will not be shared with third parties or individuals without your consent.

### FIND US ON





## SPECIFICATIONS & INSTALLATION

The guides, measurements, and dimensions detailed below are designated to assist you with planning your outdoor kitchen. **NOTE:** Due to continuing product innovation, specifications are subject to change without notice. All measurements are in inches. **IMPORTANT:** Please reference the Care & Use / Installation manual for details on gas plumbing requirements, electrical specifications, and the proper installation of your Lynx outdoor kitchen equipment. This manual can be downloaded from the Lynx website at [www.lynxgrills.com](http://www.lynxgrills.com)

### THE SEDONA BY LYNX™ COLLECTION

#### BUILT-IN GRILL

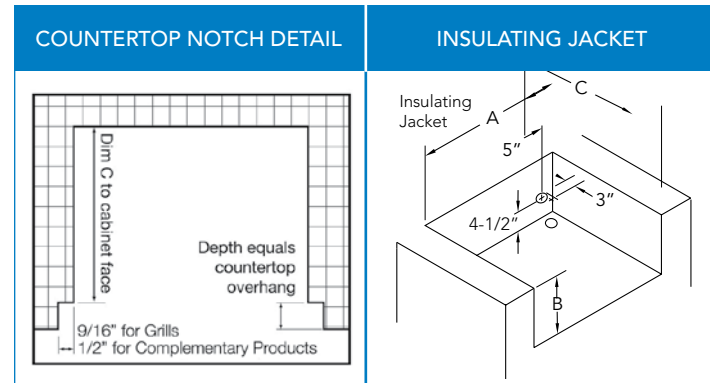
Model	A	B	C
L500	29"	10"	21 ¼"
L600	35"	10"	21 ¼"
L700	41"	10"	21 ¼"

#### COMPLEMENTARY PRODUCTS

Model	A	B	C
LSB501*	11"	4"	16"
LSB502*	21"	4"	16"
LDR418	15 5/8"	19"	-
LDR424	22"	19"	-
LDR530	28 ¼"	19"	-
LDR636	33 ¾"	19"	-
LDR742	39 ¾"	19"	-
LSA530	28 ¼"	19"	20"
LSA636	33 ¾"	19"	20"
LSA742	39 ¾"	19"	20"
LUD519	17 ¼"	19"	20"
L500REF	21 ½"	34"	24 ½"
L16TWL-1	14 ½"	8 ¼"	8"
L18TC	16"	24 ¼"	13"
LSDK18	15"	10 ½"	21"
LDC18	18 ¼"	13"	18 ¼"

#### BUILT-IN GRILL WITH INSULATING JACKET

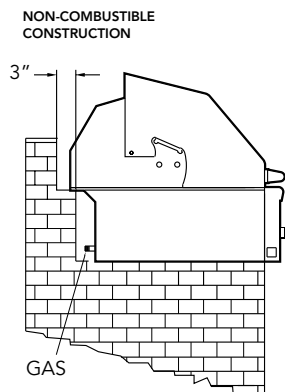
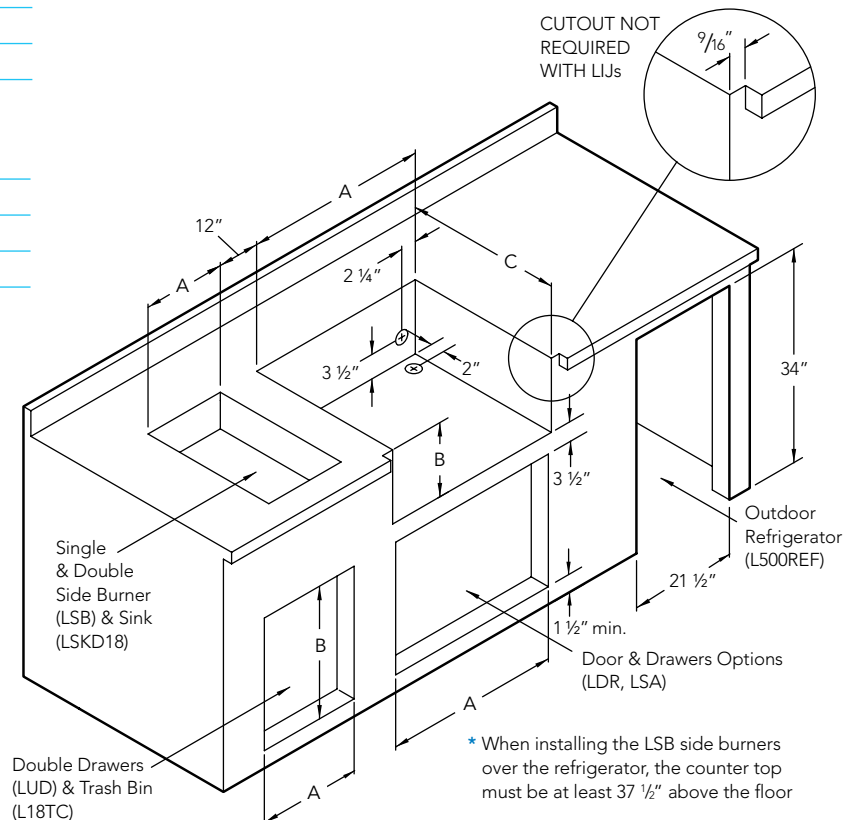
Model	A	B	C
LIJ500	36"	11 5/8"	23 ¼"
LIJ600	42"	11 5/8"	23 ¼"
LIJ700	48"	11 5/8"	23 ¼"



**Note:** Insulating jacket required for all grills installed into a combustible enclosure

**Note:** For natural gas grills, Lynx recommends using ¾" gas lines

**Note:** Side burners may be rotated 90 degrees. See installation manuals for details.



## SEDONA BY LYNX™ LIMITED WARRANTY

### I. LIMITED LIFETIME WARRANTY

The stainless steel grill body, stainless steel grill burners, cooking grates, ProSear burner and rotisserie infrared burner are warranted to be free from defects in material and workmanship when subjected to normal domestic use and maintenance for the lifetime of the original purchaser. This warranty excludes surface corrosion, scratches, and discoloration which may occur during normal use. This warranty is limited to the replacement of the defective parts, with the owner paying a processing fee and all other costs including labor. Failure to perform required maintenance will void this warranty.

### II. LIMITED FIVE-YEAR WARRANTY

The following grill parts are warranted to be free from defects in material and workmanship, when subjected to normal domestic use and maintenance, for a period of five (5) years from the original date of purchase; warming racks, spit rods, briquette trays, manifolds and gas valves. This warranty is limited to the replacement of the defective parts, with the owner paying a processing fee and all other costs including labor.

### III. LIMITED TWO-YEAR WARRANTY

All other grill components are warranted to be free from defects in material and workmanship, when subjected to normal domestic use and maintenance, for a period of two (2) years from the original date of purchase. This warranty is limited to the replacement of the defective parts, with the consumer paying all labor costs.

### IV. LIMITED ONE-YEAR WARRANTY

For a period of one (1) year from the original date of purchase, Lynx will replace or repair parts found to be defective at no cost to the original purchaser. This includes the cost of shipping replacement parts and, where necessary, service labor at prevailing local rates by a Lynx authorized service person. Service will be provided during normal business hours and must be authorized in advance by Lynx.

### V. LIMITATIONS & EXCLUSIONS

- This Warranty shall apply to products purchased and located in the United States and Canada. Products must be purchased in the country where service is requested.
- Warranty applies only to the original purchaser and may not be transferred.
- Warranty is in lieu of all other warranties expressed or implied and all other obligations or liabilities related to the sale or use of Lynx products.
- Warranty shall not apply and Lynx is not responsible for damage resulting from misuse, abuse, failure to provide reasonable and necessary required maintenance, natural disaster, animals, alteration

of or tampering with the appliance, accident, hostile environment, flare-up fires, improper installation or operation, or an installation not in accordance with the instructions contained in this manual, or the local codes.

- Lynx shall not be liable for incidental, consequential, special or contingent damages resulting from its breach of this written warranty or any implied warranty.
- Some states do not allow limitations on how long an implied warranty lasts, or the exclusions of or limitations on consequential damages. This warranty gives you specific legal rights and you may have other rights which vary from state to state.
- No one has the authority to add to or vary Lynx's warranty, or to create for Lynx any other obligation or liability in connection with the sale or use of its products.
- Limited to the replacement of defective parts with the owner paying all other costs including labor.

### VI. WHAT IS NOT COVERED: LYNX SHALL NOT BE RESPONSIBLE FOR AND SHALL NOT PAY FOR THE FOLLOWING

- Installation or start-up, damages or problems caused by improper installation or use.
- Service by an unauthorized service provider.
- Damage or repair due to service by an unauthorized service provider or use of unauthorized parts.
- Warranty does not apply to products installed in any commercial or non-residential application. Examples of excluded applications include, but are not limited to day care centers, schools, bed and breakfast centers, churches, private clubs, fire stations, club houses, common areas in multi-family dwellings, restaurants, hotels, nursing homes, food service locations and institutional food service locations. \*Contact Lynx for Common Area Warranty.
- To correct normal adjustments or settings, due to improper installation, commissioning or local gas supply properties.
- Shipping and handling costs, export duties, installation, removal, or re-installation cost (RMA excluded).
- Display models are sold "as is". If you have purchased a display model, please be advised that it is sold "as is" and that it is subject to the following warranty exclusions: any exterior or cosmetic damage is nonwarrantable; any missing components will be replaced at consumer's expense; major handling damage to manifold, valve and ignition system will be serviced at consumer's expense; all other warranties will remain in effect.
- The cost of a service call to diagnose complaint.
- Modification to Lynx product will void related warranties.

\*Please refer to Accessory Care & Use for respective warranties.

### HOW TO OBTAIN SERVICE FROM LYNX

Before calling for service, please make sure you have the following information:

- Model Number
- Date of Purchase
- Proof of Purchase by the original owner
- Serial Number

Serial number can be located on the rating plate, which is located either on the underside of the drip tray, on the heat shield behind the front panel.



For warranty service, contact the Lynx Customer Care Department for an authorized service agent near you at: **888.289.5969** or [service@lynxgrills.com](mailto:service@lynxgrills.com)

Your satisfaction is of the utmost importance to us. If a problem cannot be resolved to your satisfaction, please write, fax, or email us:

**Lynx Grills**  
7300 Flores Street  
Downey, CA 90242  
888.289.LYNX  
Customer Care:  
Tel: 888.289.5969 • Fax: 562.299.6978  
[www.lynxgrills.com](http://www.lynxgrills.com)  
Contact Lynx for replacement parts.  
Parts are shipped F.O.B. Downey, CA





EVERYTHING FOR THE OUTDOOR KITCHEN  
PROUDLY HANDCRAFTED AND MANUFACTURED IN THE USA



FOR MORE INFORMATION, PLEASE CALL  
1.888.289.5969 OR VISIT [WWW.LYNXGRILLS.COM](http://WWW.LYNXGRILLS.COM)



LYNX GRILLS, INC.  
7300 FLORES STREET DOWNEY, CA 90242

P/N 36440 04/01/2018 ©LYNX GRILLS, INC.