

MAKE THE MOST OF YOUR

**SEDONA** BY LYNX™

## CARE & USE/ICE 'N FIRE PIT INSTALLATION



Warning: Improper installation, adjustment, alteration. Service or maintenance can cause severe injury or death, and may result in property damage. Read these installation, operating and maintenance instructions thoroughly before installing or servicing this appliance.

**INSTALLER: THIS MANUAL MUST BE LEFT WITH THE APPLIANCE.  
CONSUMER: KEEP THIS MANUAL FOR FUTURE USE.**



## WARNING

READ THIS MANUAL CAREFULLY AND COMPLETELY BEFORE USING YOUR OUTDOOR APPLIANCE TO REDUCE THE RISK OF:

1. Fire
2. Burn hazard, personal injury or property damage
3. Unapproved installation or servicing.

THIS PRODUCT IS DESIGNED FOR OUTDOOR USE ONLY. Improper installation, adjustment, alteration, service or maintenance can cause property damage, injury or death.

Read this manual thoroughly before installation, use, or servicing of this product.



## DANGER

### IF YOU SMELL GAS:

1. Shut off all gas supply lines to the appliance.
2. Extinguish any open flames.
3. If odor continues, keep everyone away from the appliance and immediately call your gas supplier or your fire department.



## DANGER

### S'IL Y A UNE ODEUR DE GAZ:

1. Coupez l'admission de gaz de l'appareil.
2. Éteindre toute flamme nue.
3. Si l'odeur persiste, éloignez-vous de l'appareil et appelez immédiatement le fournisseur de gaz ou le service d'incendie.



## WARNING

1. DO NOT store or use gasoline or other flammable vapors and liquids in the vicinity of this or any other appliance.
2. An LP cylinder not connected for use shall not be stored in the vicinity of this or any other appliance.



## AVERTISSEMENT

1. Ne pas entreposer ni utiliser de l'essence ni d'autres vapeurs ou liquides inflammables dans le voisinage de l'appareil, ni de tout autre appareil.
2. Une bouteille de propane qui n'est pas raccordée en vue de son utilisation, ne doit pas être entreposée dans le voisinage de cet appareil ou de tout autre appareil.



## WARNING! CALIFORNIA PROPOSITION 65

1. The burning of gaseous fuel generates some by-products which are on the list of substances which are known by the State of California to cause cancer or reproductive harm.
2. California law requires businesses to warn customers of potential exposure to such substances. To minimize exposure to the substances, always operate this unit according to the use and care instructions found in this manual. Be certain to provide adequate ventilation when in operation

# WARNINGS



## WARNING

- Never use dented, rusty or damaged propane cylinders. Never store additional or empty propane cylinders in the cabinet or in the vicinity of this or any other appliance. Do not store propane cylinders indoors or on their sides.
- Children should NEVER BE LEFT ALONE or unattended in an area where an appliance is located. Place your appliance well away from areas where children play. Do not store items that may interest children in or around the area of your appliance, in your appliance cart, or in the enclosure.
- Never move the appliance when hot. When in use, portions of the appliance are hot enough to cause severe burns.
- Always maintain the required clearances from combustibles as detailed. These appliances are designed for outdoor use only. Never use in a garage, building, shed, breezeway, or other enclosed area. Do not use this equipment under any overhead combustible construction.
- Fire pits are not designed or certified for and are not to be installed in or on recreational vehicles, portable trailers, boats or any other moving installation.
- Always have an ABC Fire Extinguisher accessible.
- STORING YOUR appliance: Store your appliance in a well-ventilated area. If stored indoors, detach and leave L.P. cylinder outdoors in a well-ventilated area away from heat and away from where children may tamper with it.
- Do not repair or replace any part of the appliance unless specifically recommended in this manual. Other service should be performed by a qualified technician.
- If the appliance is installed by a professional installer or technician, be sure that he/she shows you where your gas supply shut-off is located. All gas lines must have a shut-off that is readily and easily accessible. If you smell gas, check for gas leaks immediately. Check only with a soap and water solution. (See SAFETY PRECAUTIONS on page 8 for further details.) Never check for gas leaks with an open flame.
- Inspect the LP gas supply hose prior to each use of the appliance. If there is evidence of excessive abrasion or wear, or the hose is cut, it must be replaced before using the appliance.

**THIS MANUAL MUST REMAIN WITH THE PRODUCT OWNER FOR FUTURE REFERENCE.**

To obtain replacement parts or service contact:

**Lynx Grills**  
**7300 Flores Street**  
**Downey, CA 90242**  
**888-289-5969**

Part No. 34776 03/2014



## WARNING

1. This outdoor appliance and its individual shutoff valve must be disconnected from the gas supply piping system during any pressure testing of that system at test pressures in excess of 1/2 psi (3.5 kPa).
2. This outdoor appliance must be isolated from the gas supply piping system by closing its individual manual shutoff valve during any pressure testing of the gas supply piping system at test pressures equal to or less than 1/2 psi (3.5 kPa).



## STATE OF MASSACHUSETTS

1. Massachusetts requires all gas be installed using a plumber or gas fitter carrying the appropriate Massachusetts license.
2. All permanently-installed natural gas or propane installations require a "T" handle type manual gas valve be installed in the gas supply line to this appliance.
3. This does not apply to portable propane installations using a 20 pound cylinder.



## DANGER

1. This appliance produces carbon monoxide which has no odor.
2. Using this appliance in an enclosed space can cause death.
3. Never use this appliance in an enclosed space. Never use in a garage, building, shed, breezeway, or other enclosed area.

Prior to assembly of your new Lynx Ice 'N Fire Pit you may want to consider the location of the fire pit. Do you have prevailing winds which may effect the burner operation? Is the ground you plan on installing the fire pit level and firm? Do you have an assistant to help with positioning the fire pit and table top. The table top may be heavy and awkward to handle alone.

Before you can use the fire pit you must install the table top on the fire pit base, and install the burner assembly to the table top. The LP gas tank must be installed and connected properly to the burner assembly and the controls connected for proper operation.

Please read these instructions carefully and completely before proceeding. Incorrect installation and assembly may result in fire, damage or personal injury or death.

---

## IMPORTANT SAFETY PRECAUTIONS

---

### PLEASE REVIEW THESE IMPORTANT SAFETY PRECAUTIONS BEFORE YOU USE YOUR FIRE PIT.

1. NEVER LEAVE THE FIRE PIT UNATTENDED WHILE IN USE.
2. Follow the instructions in this manual carefully to reduce the risk of personal injury, death or property loss.
3. Ensure all tie-down wires have been removed from the burners.
4. Always use caution when operating the appliance in a windy area.
5. Avoid wearing loose-fitting garments or long sleeves while adjusting fire pit media. They could ignite.
6. Never touch the appliance rocks or immediate surrounding surfaces with your bare hands while in operation.
7. Use only the type of fuel specified on the appliance rating plate. Verify the fuel gas is correct and the proper pressure is available. Never use wood, charcoal or any other solid fuel or liquid fuel in this fire pit. Conversion kits are available from the manufacturer if natural gas use is desired. Contact Lynx customer care.
8. Never replace the appliance rocks with any other material such as granite, marble or any other dense stone as these may crack or burst under flame and heat. The units are shipped for use with LP gas.
9. Do not use the appliance unless a leak check has been performed on all gas connections.
10. Never operate the appliance while under the influence of alcohol or drugs.
11. Do not lean or sit on table shelves and never place a load weighing more than 25 pounds on the shelf.
12. If the burner does not light or goes out during operation, turn off all gas control knobs and wait five (5) minutes before attempting to re-light.

---

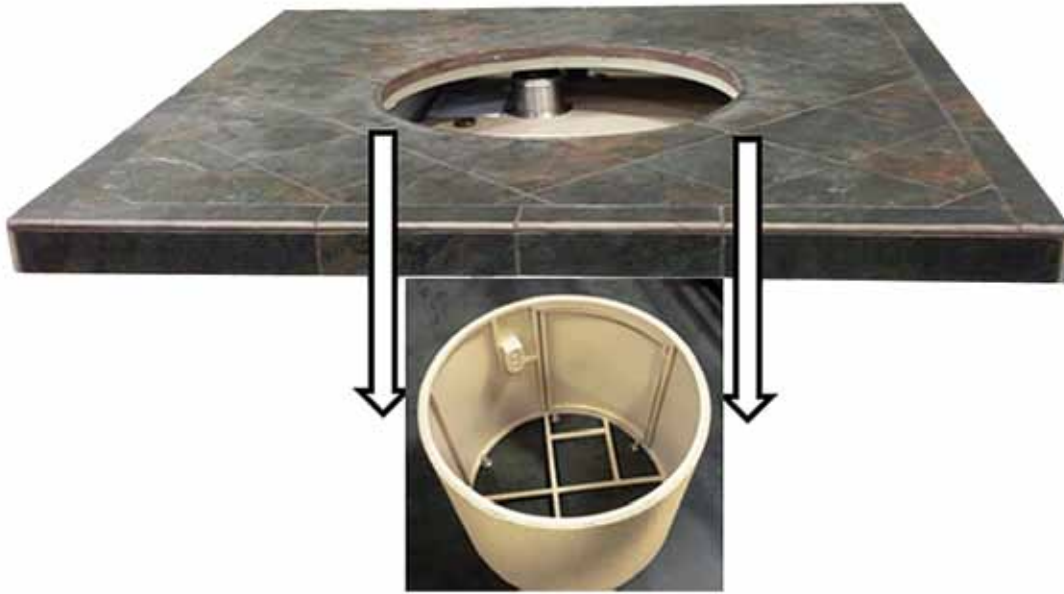
## SEDONA FIRE PIT ASSEMBLY INSTRUCTIONS

---

**STEP 1:** Unpack the table top and the base. Remove all packing materials, tie down straps and any other packaging.

**STEP 2:** Place the fire pit base on a flat firm surface. The Fire Pit must be on solid ground or pavers so it will not sink over time.

**STEP 3:** With the help of an assistant, place the table top on top of the base, making sure the table top is centered properly.



---

## BURNER AND IGNITION CONTROLS

---

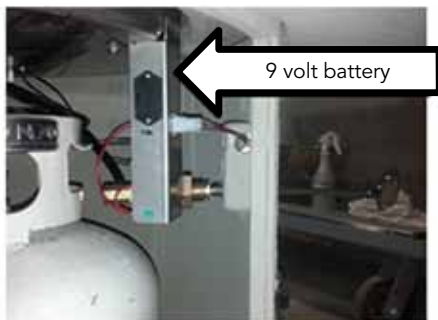
### STEP 1

Install burner and burner pan in the table top opening. This can be accomplished In one or two ways.

Before dropping the burner pan into the enclosure, connect the LP hose to the LP cylinder, and the ignition wire from the igniter module to the power button.

As an alternative you can install the burner pan into the table top, and working from the base access door, connect the LP hose to the LP Tank, connect igniter module to the power button.

Do not add the burner media until you check the spark ignition in the next step.



Ignition Wire Connector





## BURNER AND IGNITION CONTROLS ...continued



### STEP 2

Press the ignition button and verify a spark is present at the spark electrode at the burner assembly. If you do not see or hear a spark, please refer to the trouble shooting section of this manual.

If the ignition spark is present, proceed to the next step, addition of burner media.



## MEDIA INSTALLATION

Your Ice 'N Fire Pit needs burner media in order to create realistic, natural looking flame effects. Follow the instructions outlined below to create safe and pleasing fire effects.

**STEP 1:** Install the burner pan as described above

**STEP 2:** Add lava rocks and spread evenly to cover the entire burner assembly, and an additional ½ - 1" deep. Be careful not to block the ignition box openings as this will affect proper ignition. Be careful not to bury the burner pan handle.

**STEP 3:** Add river rocks in a single layer, to cover the lava rock. The ignition box may be loosely covered with the river



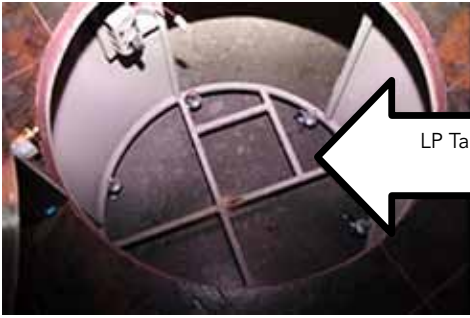
## INSTALLING THE LP CYLINDER



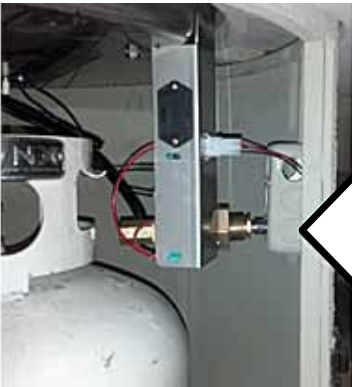
### WARNING

The LP Gas cylinder, or tank, must comply with U.S Department of Transportation (D.O.T.) Specifications for LP Gas Cylinders or the Standard for Cylinders, Spheres and Tubes for Transportation of Dangerous Goods and Commission CAN/CSA-B339. The cylinder must be protected with a listed overfill prevention device and provided with a connection device compatible with the appliance connector. Failure to meet this requirement may create a hazardous condition resulting in personal injury, death or damage to personal property, and may pose a risk of fire or explosion.

## INSTALLING THE LP CYLINDER...*continued*



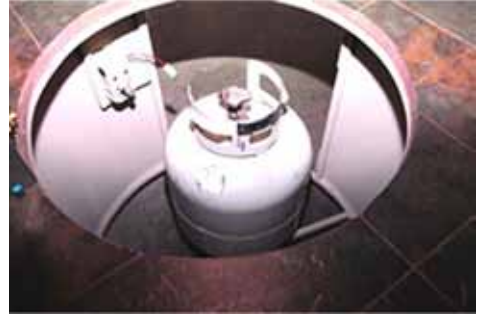
LP Tank Bottom Collar Support



Line up gas valve with key control opening

### STEP 1

The LP tank is brought into the fire pit enclosure and secured to the square base frame by the bottom ring of the cylinder.



### STEP 2

Connect the LP hose and regulator assembly to the LP Cylinder. Do not use tools when making this connection, the knob must be hand tightened only.

Rotate the burner pan until the gas valve lines up with the opening for the gas valve key. Make sure the burner control valve is in the OFF position before opening the cylinder valve.

## SAFETY PRECAUTIONS

Inspect the LP gas hose and connections before each use. If there is any damage from normal operating conditions, weather, rodents or other adverse conditions do not use the hose. Turn OFF the LP tank valve and replace the hose and regulator assembly. Replacement parts are available from the Lynx Grills, Inc..

Before using your fire pit you must test all gas connections to ensure leak-free connections. Gas connections can be tested with a solution of 1 part dish soap to 3 parts water. Turn on gas at the cylinder gas valve. Brush or spray the solution on all connections and look for the formation of bubbles. **NEVER USE AN OPEN FLAME TO CHECK FOR LEAKS.** If you find any leaks, tighten the connections and retest. If you cannot stop the leak, turn off the gas at the cylinder gas valve and call a qualified repair technician, or contact Lynx Grills to arrange a service call.

Inspect the burner assembly regularly for damage. Clean any blocked ports. Be aware that insects like to make webs inside burner assemblies and hoses.



---

## LIGHTING INSTRUCTIONS

---

**STEP 1:** Make sure the gas shut-off valve on the LP Tank is in the open position

**STEP 2:** Start the spark igniter by pressing the ignition button. The starter will stay on until the button is pressed again.

**STEP 3:** Using the Gas Valve Key, open the gas burner control valve through the opening in the control panel. Turn the key to the left (counter-clockwise) until it is full open. The burner should light immediately. If the burner does not light in 4 seconds, turn the gas valve OFF, push the ignition button to turn off the igniter, Wait 5-minutes for any gas to dissipate, then repeat steps 2 and 3 again. If the burner fails to light contact Lynx Customer Care.

**STEP 4:** After the burner lights push in the ignition button to shut off the ignition module.

**STEP 5:** Use the gas valve key to adjust the flame to a comfortable level.

DO NOT LEAVE A LIT FIRE-PIT UNATTENDED!



---

## SHUTTING DOWN THE FIRE PIT

---

**STEP 1:** Using the Gas Valve Key Turn off the gas to the burner by turning the Key to the right (clockwise) until the valve is fully closed

**STEP 2:** Shut OFF the LP tank gas valve

---

## CONVERTING TO A BEVERAGE HOLDER

---

You new Lynx Fire Pit is easily converted into an icy beverage holder for those warm days when a fire pit is not needed.

**STEP 1:** Shut off gas from the LP Cylinder and remove the LP Hose

**STEP 2:** Disconnect the ignition wire at the connector

**STEP 3:** Lift out the burner pan using the convenient handle

**STEP 4:** Insert the Ice pan into the cutout opening

**STEP 5:** Fill with ice and your favorite beverages and enjoy.

---

## TROUBLE SHOOTING

---

1. Make sure a fresh 9 volt battery has been installed
2. Make sure all wire connectors are firmly attached. They may have come loose in shipping
3. Check to see that the LP tank is full and properly connected.

If you have any problems or concerns, please contact Lynx Customer care

Lynx Grills, Inc.  
7300 Flores Street  
Downey, CA 90242  
888-289-5969

# REFRESHMENT BOWL CONVERSION



1. Remove gravel pan from top

2. Place refreshment bowl into top

3. Refreshment bowl

## FEATURES

Model No. LFPC-S & LFPC-G.

44" round top on round pedestal with unique nautilus burner.

Tumbled volcanic variegated stone.

Access door provides easy accessibility to LP Tank and battery compartment.

LFPS-S & LFPS-G

44" square top on round pedestal with unique nautilus burner.

## PERFORMANCE

65,000 BTU max.

## TECHNICAL

Fuel Type: LP Standard / NG Kit available.

Electric pushbutton ignition with manual valve for flame setting.

## ACCESSORIES

NG Conversion Kit available.

Caster Kit available.

Vinyl Cover (included).

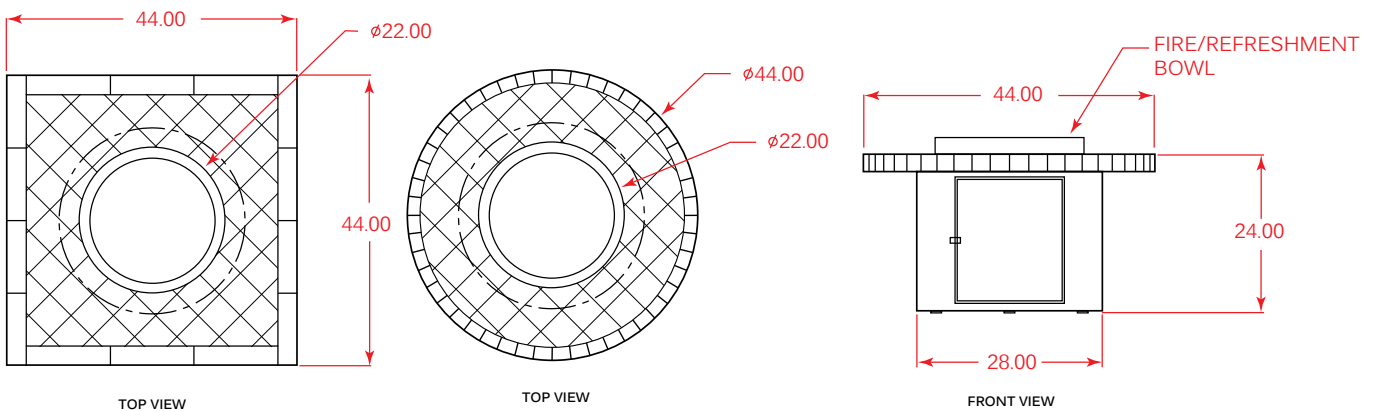
## PRODUCT DIMENSIONS

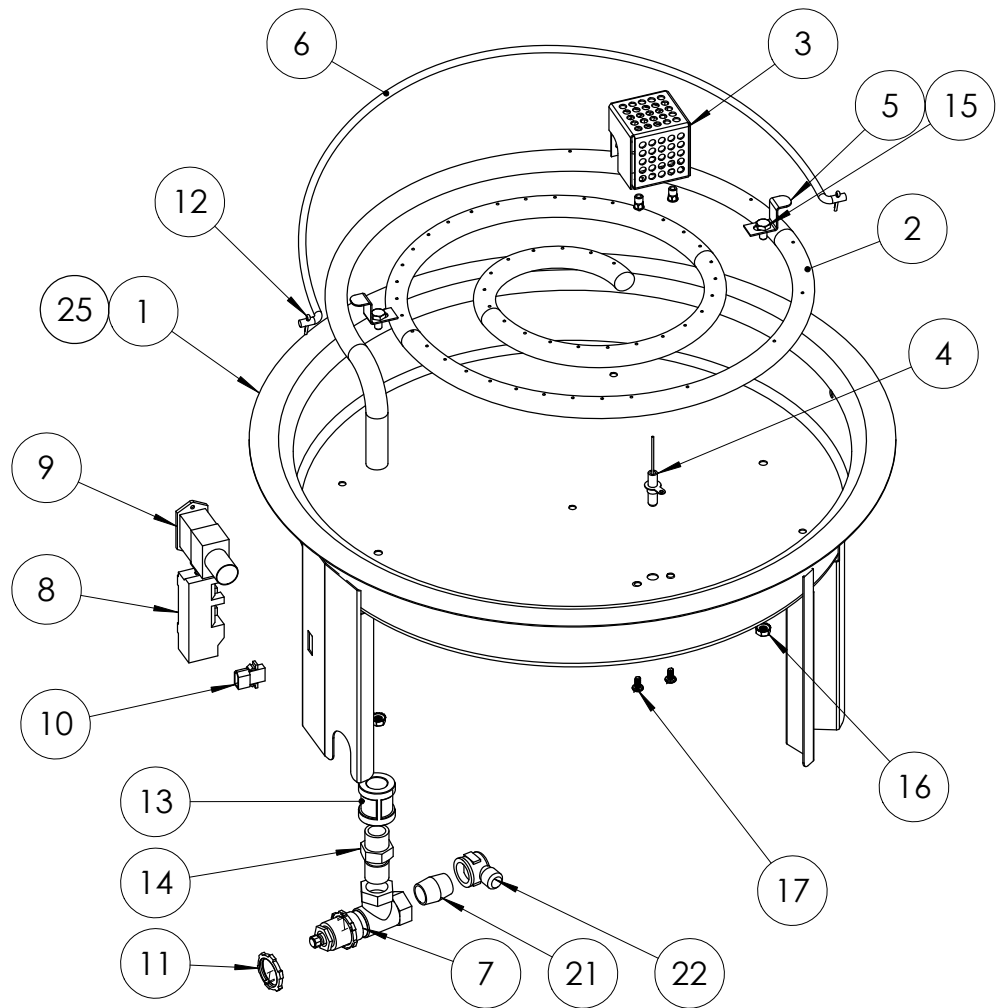
Overall diameter

44"

Overall height

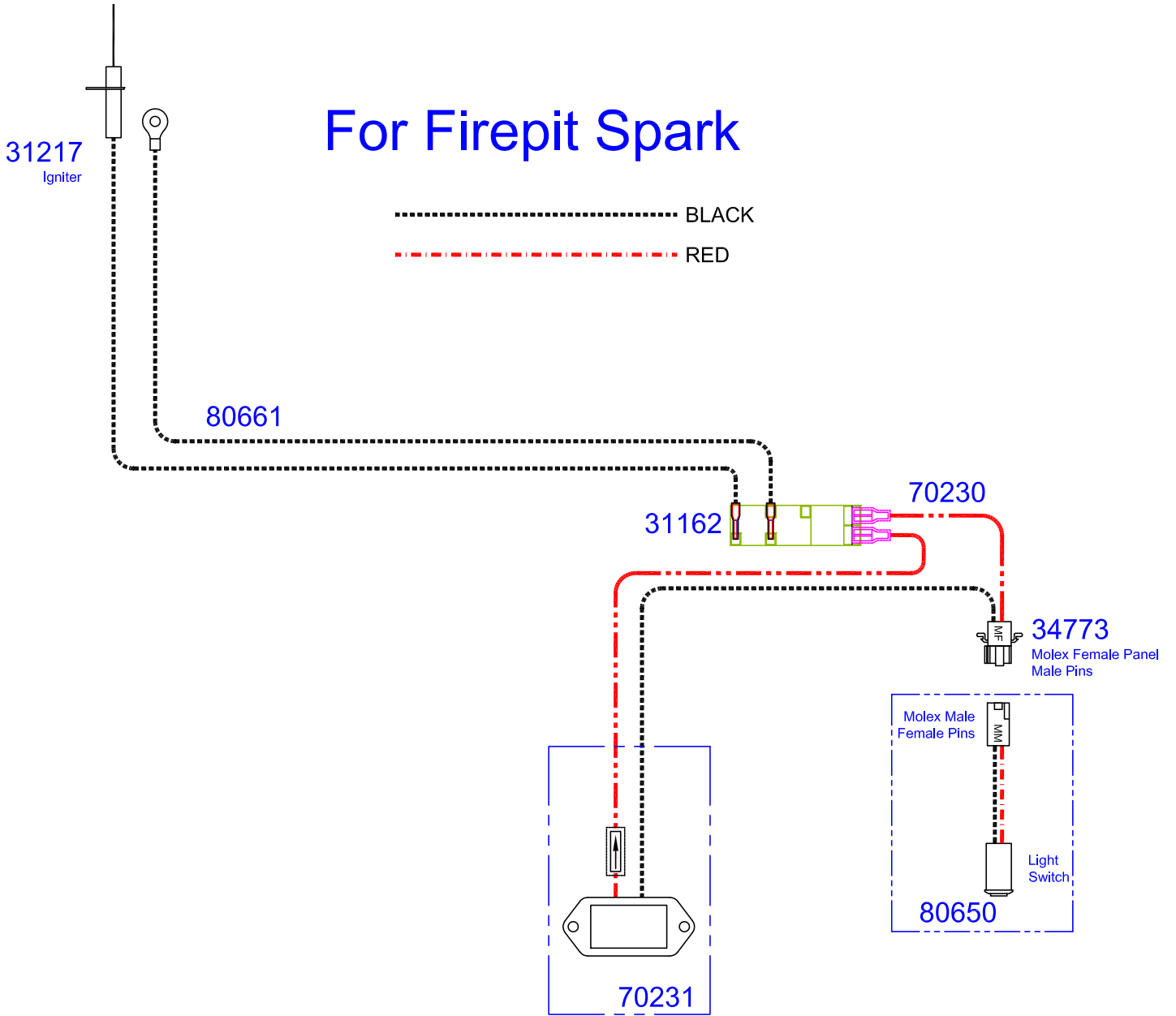
approx. 24"





ITEM	PART No.	DESCRIPTION	QTY.
1	80884	FIREPAN WELDMENT	1
2	34641	NAUTILUS BURNER	1
3	34640	IGNITER SHIELD	1
4	31217	SPARK ELECTRODE, 15"	1
5	34654	BRACKET, BURNER RETAINER	2
6	34644	HANDLE, PAN	1
7	34652	KEY VALVE, FIREPIT	1
8	31162	IGNITOR, 2 SPARK	1
9	70231	BATTERY HOLDER	1
10	34773	MOLEX PLUG, PANEL MOUNT	1
11	34774	LOCK NUT, ELECT., 3/4"-14 NPSM	2
12	34775	COTTER PIN, .093 X .750	2
13	31582	UNION COUPLER, 1/2" NPT	1
14	34695	ORIFICE, VENTED, #41	1
15	14030	SCREW, 1/4-20 X 1/2, HHD, SS	2
16	31876	NUT, 1/4-20, LKN, STEEL, W/ESL	2
17	33706	SCREW, #10-32 X 3/8, PHP, SS	2
18	32768	NUT, #10-32, INSERT, STEEL, ZINC	2
19	80661	WIRE, GROUND, 16"	1
20	70230	WIRE, IGNITION, 6"	1
21	13012	NIPPLE, 1/2 CLOSE BLACK	1
22	13054	ELBOW, 3/8" FLARE TO 1/2" FIP	1
23	30751	SCREW, #6-32 X 1/2, FHP, SS	2
24	70232	ICE BOWL	1
25	80883	BURNER PAN ASSEMBLY	1

# For Firepit Spark



# SEDONA BY LYNX ICE N' FIRE PIT LIMITED WARRANTY

## I. Limited Twelve-Year Warranty.

The Nautilus stainless steel main burner carries a limited twelve (12) year warranty. This warranty excludes surface corrosion, scratches, and discoloration which may occur during normal use. This warranty is limited to the replacement of the defective parts, with the owner paying all other cost including labor, shipping and handling.

## II. Limited Five-Year Warranty.

The following parts are warranted to be free from defects in material and workmanship, when subjected to normal domestic use and service, for a period of five (5) years from the original date of purchase; burner pan, manifolds and gas valves. This warranty is limited to the replacement of the defective parts, with the owner paying all other costs including labor, shipping, and handling.

## III. Limited Two-Year Warranty

All other components are warranted to be free from defects in material and workmanship, when subjected to normal domestic use and service, for a period of two (2) years from the original date of purchase. This warranty is limited to the replacement of the defective parts, with the owner paying all other costs including labor, shipping and handling.

## IV. Limited One-Year Warranty.

For a period of one (1) year from the original date of purchase, Lynx will replace or repair parts found to be defective at no cost to the original purchaser. This includes the cost of shipping replacement parts and, where necessary, service labor at prevailing local rates by a Lynx authorized service person. Service will be provided during normal business hours and must be authorized in advance by Lynx.

## V. Limitations & Exclusions

- 1) This Warranty shall apply to products purchased and located in the United States and Canada. Products must be purchased in the country where service is requested.
- 2) Warranty applies only to the original purchaser and may not be transferred.
- 3) Warranty is in lieu of all other warranties expressed or implied and all other obligations or liabilities related to the sale or use of its grill products.
- 4) Warranty shall not apply and Lynx is not responsible for damage resulting from misuse, abuse, alteration of or tampering with the appliance, accident, hostile environment, flare-up fires, improper installation, or installation not in accordance with the instructions contained in this manual, or the local codes.
- 5) Lynx shall not be liable for incidental, consequential, special or contingent damages resulting from its breach of this written warranty or any implied warranty.

6) Some states do not allow limitations on how long an implied warranty lasts, or the exclusions of or limitations on consequential damages. This warranty gives you specific legal rights and you may have other rights which vary from state to state.

7) No one has the authority to add to or vary Lynx's warranty, or to create for Lynx any other obligation or liability in connection with the sale or use of its products.

8) Limited to the replacement of defective parts with the owner paying all other costs including labor.

VI. What is not covered: Lynx shall not be responsible for and shall not pay for the following:

- 1) Installation or start-up, damages or problems caused by improper installation or use;
- 2) Service by an unauthorized service provider;
- 3) Damage or repair due to service by an unauthorized service provider or use of unauthorized parts;
- 4) Warranty does not apply to products installed in any commercial or non-residential application. Examples of excluded applications include, but are not limited to day care centers, schools, bed and breakfast centers, churches, private clubs, fire stations, club houses, common areas in multi-family dwellings, restaurants, hotels, nursing homes, food service locations and institutional food service locations.
- 5) To correct normal adjustments or settings, due to improper installation, commissioning or local gas supply properties.
- 6) Shipping and handling costs, export duties, installation, removal, or re-installation cost.
- 7) Display models are sold "as is". If you have purchased a display model, please be advised that it is sold "as is" and that it is subject to the following warranty exclusions: any exterior or cosmetic damage is nonwarrantable; any missing components will be replaced at consumers expense; major handling damage to manifold, valve and ignition system will be serviced at consumer's expense; all other warranty's (standard warranty) will remain in effect.
- 8) The cost of a service call to diagnose trouble.



Lynx Grills  
7300 Flores Street  
Downey, CA 90242  
Service: (888) Buy-Lynx (888-289-5969)  
Fax: (562) 299-6978  
[www.lynxgrills.com](http://www.lynxgrills.com)

