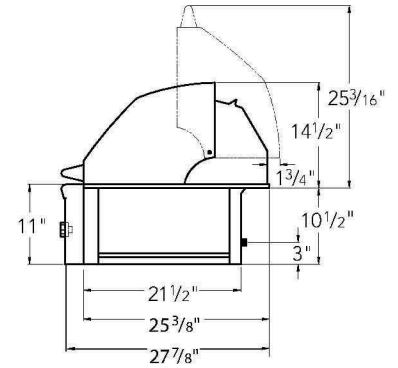
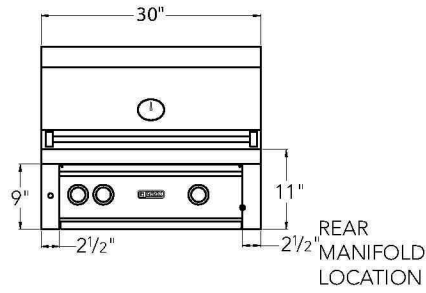


# 30" PROFESSIONAL GRILL



Built-In



## 30" PROFESSIONAL BUILT-IN GRILL

**Model No. VQGI5301(N/L)SS**

- One cast brass burner and one ProSear 2™ Burner (48,000 BTUs)

840 sq. in. cooking surface (600 primary, 240 secondary)

Hot surface ignition system

Heat stabilizing design

Control illumination w/ blue LEDs

Halogen grill surface light

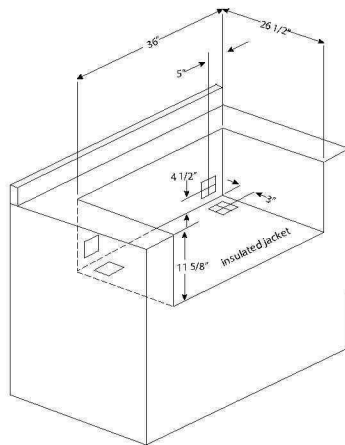
Temperature gauge

Removable large-capacity smoker box

Stainless steel grilling grates

Dual-position internally powered rotisserie w/ heavy-duty 3-speed motor & rear infrared burner

### 30" Cutout Dimensions



4" square holes for gas and electrical connections both left and right sides(rear or bottom access). Make these holes in the frame based on your requirements. 120V GFI outlet must be located within 6' of the 4" hole.

If using a countertop with overhang a 9/16" notch is required.

### COOKING SURFACE

- 840 sq. in. cooking surface (600 primary / 240 secondary)

### SHIPPING WEIGHTS & DIMENSIONS

- Built-in Grill: 241 lbs. / 38 1/2" x 34 1/4" x 37"
- Freestanding Grill: 362 lbs. / 38 1/2" x 34 1/4" x 58 1/2"

MODEL	DESCRIPTION
VQGI5301N/LSS	30" Built-In Grill - 1 ProSear2 IR Burner w/ Rotisserie
CQ530BI	30" Vinyl Cover (Built-In)
LIJ30	Insulated Jacket for 30" Built-In-Grill

**NOTE:** Must specify gas type—N for Natural Gas or L for Propane